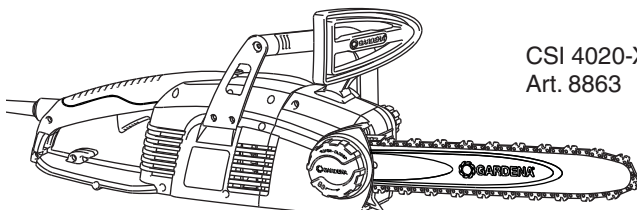


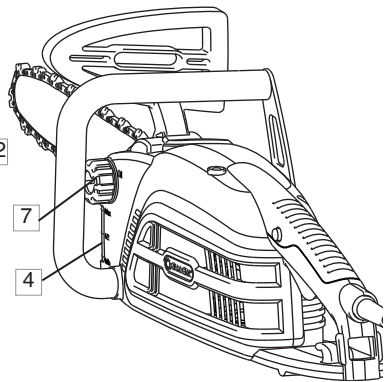
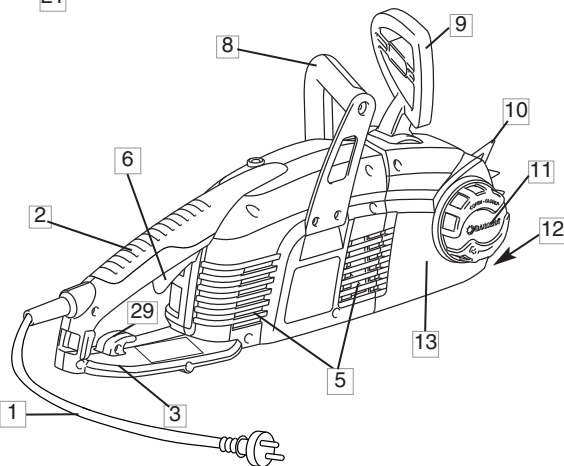
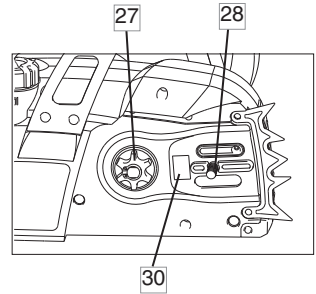
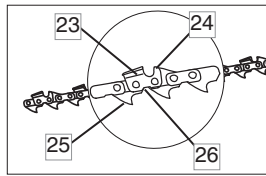
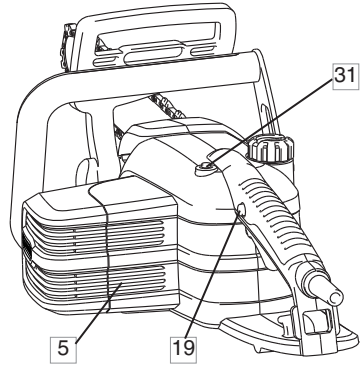
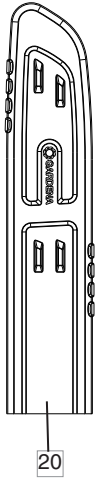
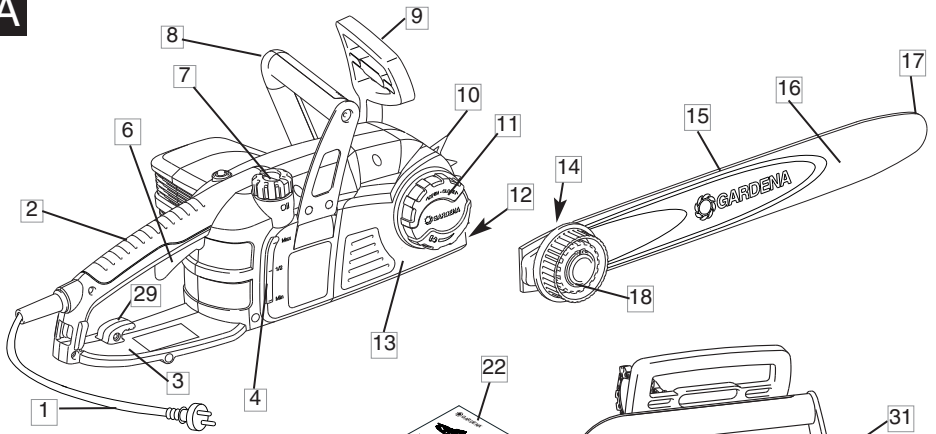
CST 3519-X Electric Chainsaw  
Art. 8862

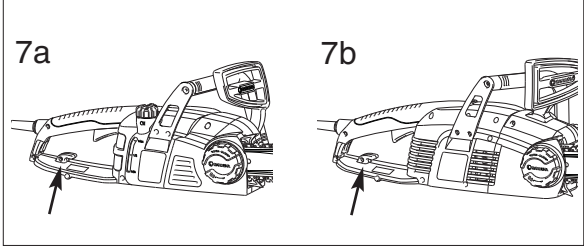
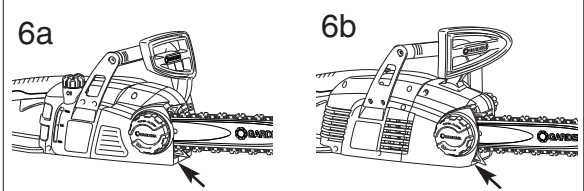
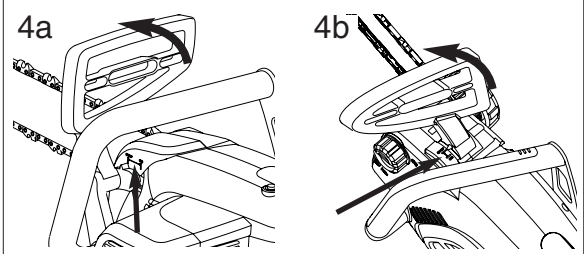
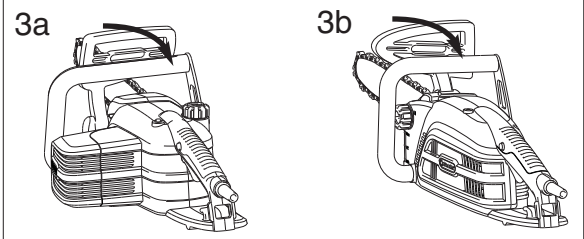
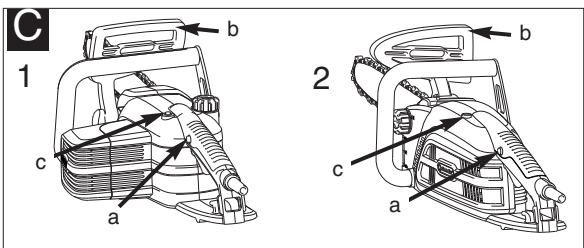
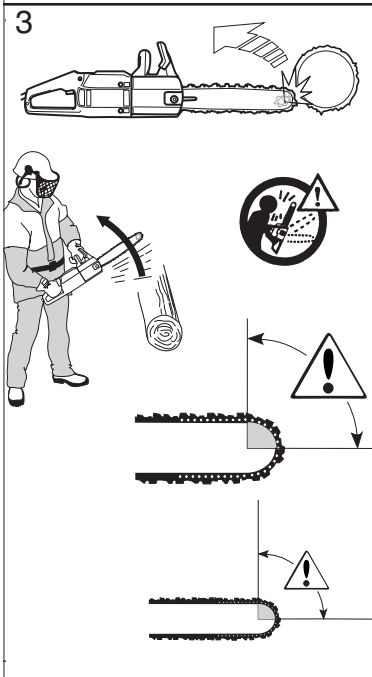
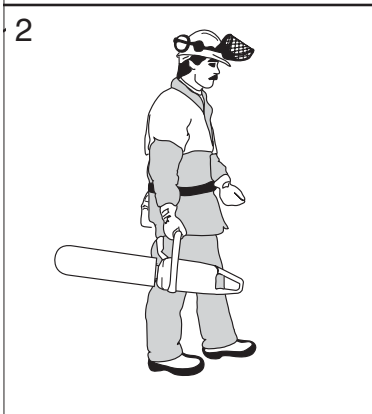
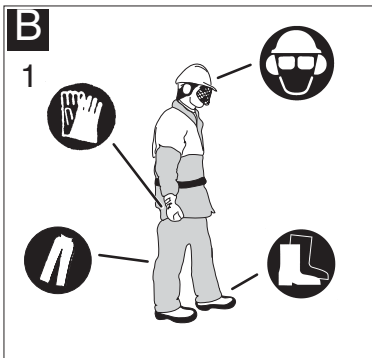


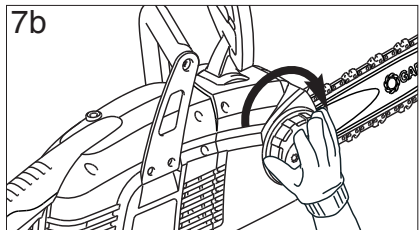
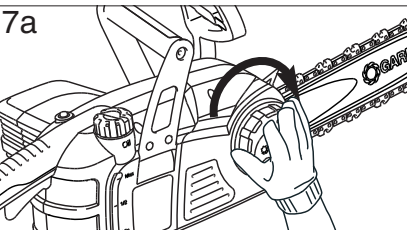
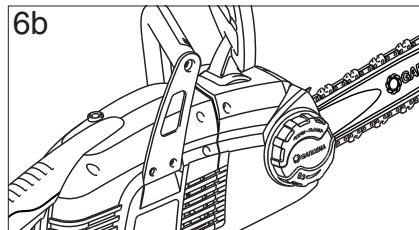
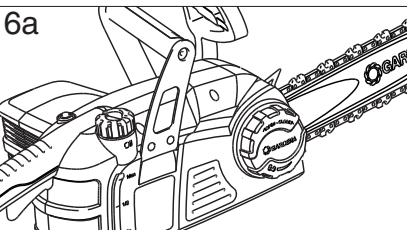
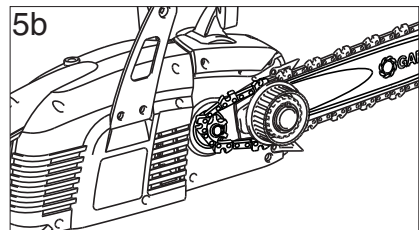
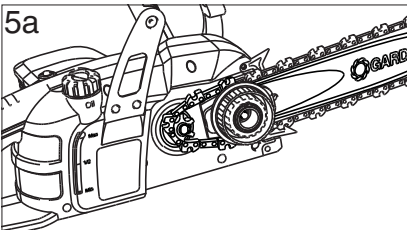
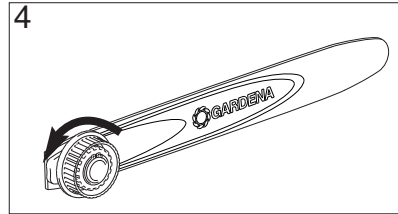
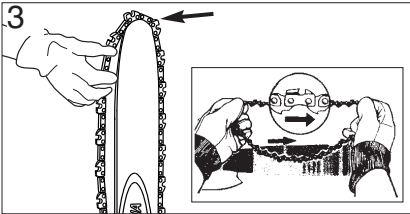
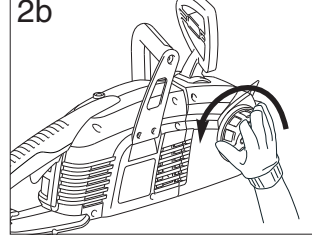
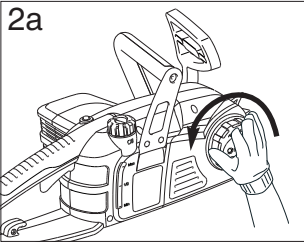
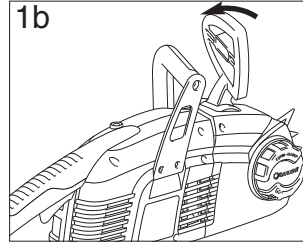
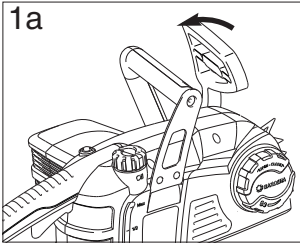
CSI 4020-X Electric Chainsaw  
Art. 8863

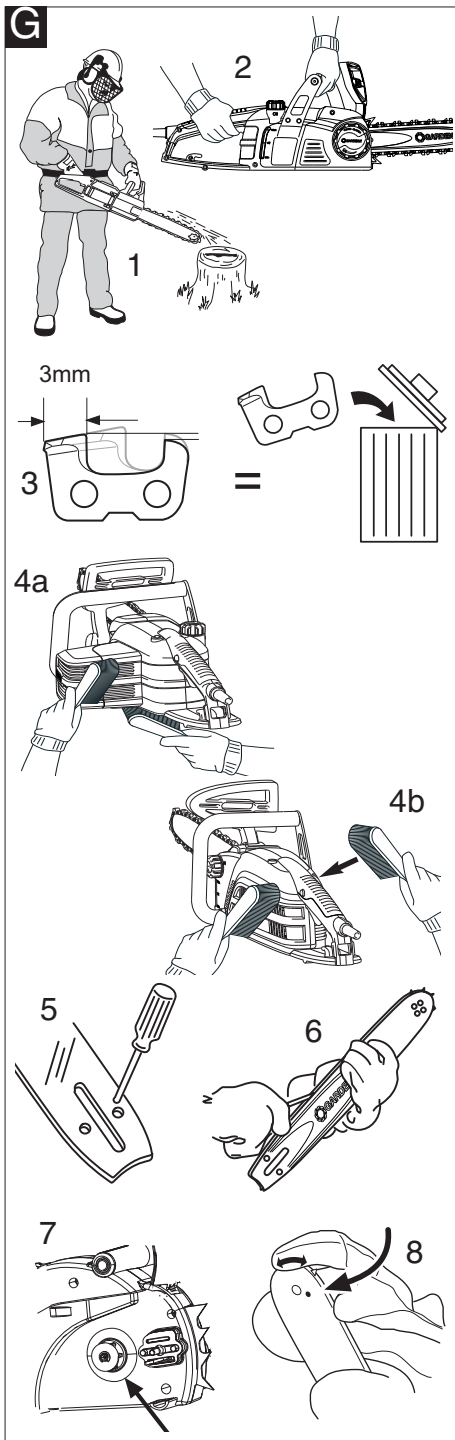
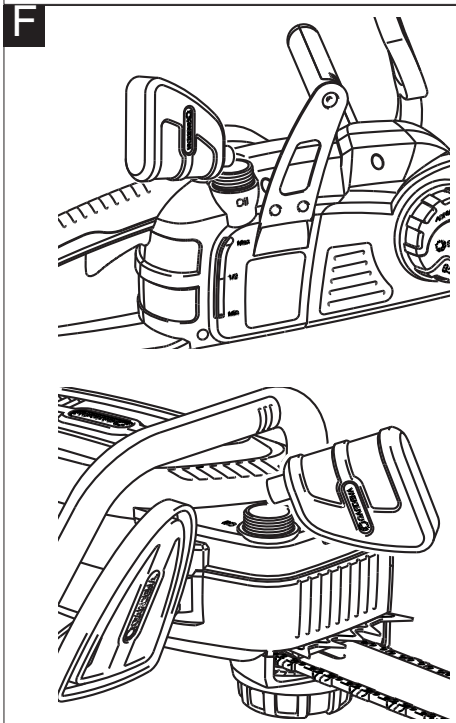
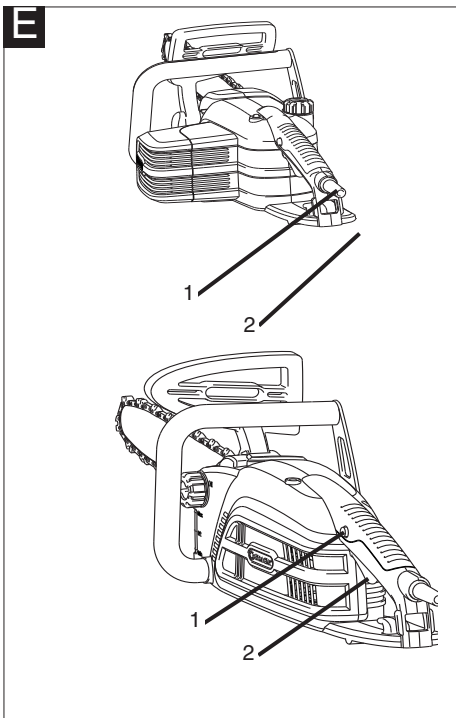
<b>D</b>	<b>Betriebsanleitung</b> Elektro-Kettensäge	<b>CZ</b>	<b>Návod k obsluze</b> Elektrická řetězová pila
<b>GB</b>	<b>Operating Instructions</b> Electric Chainsaw	<b>SK</b>	<b>Návod na používanie</b> Elektrická reťazová pila
<b>F</b>	<b>Mode d'emploi</b> Tronçonneuse électrique	<b>GR</b>	<b>Οδηγίες χρήσεως</b> Ηλεκτρικό αλυσοπρίονο
<b>NL</b>	<b>Instructies voor gebruik</b> Elektrische kettingzaag	<b>RUS</b>	<b>Инструкция по эксплуатации</b> Электрическая цепная пила
<b>S</b>	<b>Bruksanvisning</b> Elektrisk motorsåg	<b>SLO</b>	<b>Navodila za uporabo</b> Električna verižna žaga
<b>DK</b>	<b>Brugsanvisning</b> Elektrisk kædesav	<b>HR</b>	<b>Uputstva za upotrebu</b> Električna lančana pila
<b>N</b>	<b>Bruksanvisning</b> Elektrisk kjedesag	<b>UA</b>	<b>Інструкція з експлуатації</b> Електрична ручна ланцюгова пила
<b>FIN</b>	<b>Käyttöohje</b> Sähkökäyttöinen moottorisaha	<b>RO</b>	<b>Instrucțiuni de utilizare</b> Ferăstrău electric cu lanț
<b>I</b>	<b>Istruzioni per l'uso</b> Elettrosega	<b>TR</b>	<b>Kullanma Talimatı</b> Elektrikli Testere
<b>E</b>	<b>Manual de instrucciones</b> Motosierra eléctrica	<b>BG</b>	<b>Инструкция за експлоатация</b> Електрическа моторна резачка
<b>P</b>	<b>Instruções de utilização</b> Motosserra eléctrica	<b>EST</b>	<b>Kasutusjuhend</b> Elektriline kettsaag
<b>PL</b>	<b>Instrukcja obsługi</b> Pila łańcuchowa elektryczna	<b>LT</b>	<b>Eksploatavimo instrukcija</b> Elektriniai grandininiai pjūklai
<b>H</b>	<b>Vevőútájékoztató</b> Elektromos láncfűrész	<b>LV</b>	<b>Lietošanas instrukcija</b> Elektriskais ķēdes zāģis

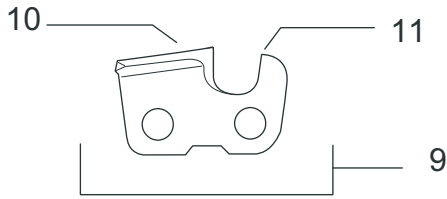
- D** **WICHTIGE INFORMATION**  
**Übersetzung der englischen Originalbetriebsanleitung.** Bitte vor dem Benutzen des Gerätes durchlesen und gut aufbewahren.
- GB** **IMPORTANT INFORMATION**  
**Original Instructions.** Read before use and retain for future reference.
- F** **RENSEIGNEMENTS IMPORTANTS**  
**Instructions d'origine.** A lire avant usage et à conserver pour référence ultérieure.
- NL** **BELANGRIJKE INFORMATIE**  
**Oorspronkelijke instructies.** Leest u deze informatie voor het gebruik en bewaar ze voor toekomstige raadpleging.
- S** **VIKTIG INFORMATION**  
**Originalinstruktioner.** Läs anvisningarna före användningen och spara dem för framtida behov.
- DK** **VIGTIGE OPLYSNINGER**  
**Originale instruktioner.** Du bør læse brugsanvisningen før brug og gemme til senere henvisning.
- N** **VIKTIG INFORMASJON**  
**Originalinstrukser.** Les bruksanvisningen nøye før bruk og oppbevar den for senere bruk.
- FIN** **VIGTIGE OPLYSNINGER**  
**Alkuperäiset ohjeet.** Du bør læse brugsanvisningen før brug og gemme til senere henvisning.
- I** **INFORMAZIONI IMPORTANTI**  
**Istruzioni originali.** Leggere prima dell'uso e conservare per ulteriore consultazione.
- E** **INFORMACIÓN IMPORTANTE**  
**Instrucciones originales.** Léase antes de utilizar y consérvela como referencia en el futuro
- P** **INFORMAÇÕES IMPORTANTES**  
**Instruções Originais.** Leia antes de utilizar e guarde para consulta futura
- PL** **UWAGA**  
**Oryginalne Instrukcje.** Zapoznać się z treścią niniejszej instrukcji przed użyciem i zachować ją do dalszego użytkowania urządzenia.
- H** **FONTOS INFORMÁCIÓ**  
**Eredeti Utasítás.** Használat előtt olvassa el, és tartsa meg későbbi felhasználásra.
- CZ** **DŮLEŽITÁ INFORMACE**  
**Originální pokyny.** Než začnete stroj používat, přečtěte si pozorně tento návod a uschovejte jej pro další použití v budoucnu.
- SK** **DÔLEŽITÉ INFORMÁCIE**  
**Pôvodné pokyny.** Pred použitím si prečítajte nasledovné informácie a odložte si ich pre budúcu potrebu.
- GR** **ΣΗΜΑΝΤΙΚΕΣ ΠΛΗΡΟΦΟΡΙΕΣ**  
**Αρχικές οδηγίες.** Διαβάστε αυτό το φυλλάδιο πριν από τη χρήση της συσκευής και φυλάξτε το για μελλοντική αναφορά.
- RUS** **ВАЖНАЯ ИНФОРМАЦИЯ**  
**Исходные инструкции.** Прочитайте перед тем, как включить триммер, и сохраните для дальнейшего использования.
- SLO** **POMEMBNA INFORMACIJA**  
**Originalna navodila.** Preberite pred uporabo in shranite za prihodnjo uporabo.
- HR** **VAŽNE INFORMACIJE**  
**Originalne upute.** Pročitati prije upotrebe i sačuvati za buduće osvrte.
- UA** **ВАЖЛИВА ІНФОРМАЦІЯ**  
**Оригінальні інструкції.** Прочитайте перед початком роботи і збережіть для подальшого використання.
- RO** **MANUAL DE INSTRUCȚIUNI**  
**Instrucțiuni originale.** Înainte să folosiți mașina de tuns pentru prima oară, citiți cu atenție manualul de instrucțiuni pentru a-i înțelege conținutul.
- TR** **ÖNEMLİ BİLGİLER**  
**Orijinal Talimatlar.** Kullanmadan önce okuyunuz ve ileride başvurmak üzere saklayınız.
- BG** **ВАЖНА ИНФОРМАЦИЯ**  
**Оригиналните инструкции.** очетете преди употреба и запазете за бъдещи справки
- EST** **OLULINE TEAVE**  
**Algsed juhised.** Enne seadme kasutuselevõtmist lugege kasutusjuhend läbi ning säilitage see tuleviku tarbeks.
- LT** **OPERATORIAUS INSTRUKCIJŲ RINKINYS**  
**Pagrindinės instrukcijos.** Perskaitykite šį instrukcijų rinkinį labai atidžiai, kad pilnai suprastumėte turinį, prieš pradėdami naudoti vejos/žolės pjovėją.
- LV** **SVARĪGA INFORMĀCIJA**  
**Sākotnējās instrukcijas.** Pirms lietošanas izlasiet un saglabāiet turpmākām uzziņām.

**A**

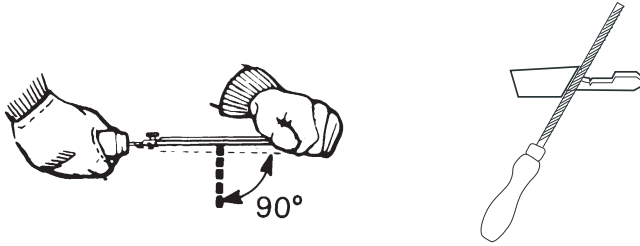


**D**

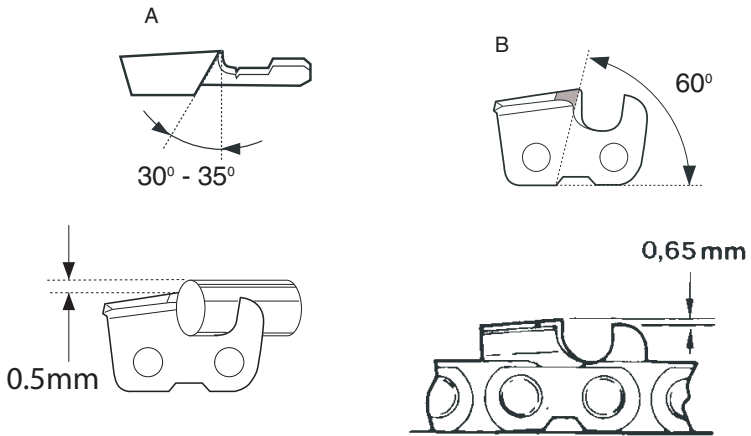


**G**

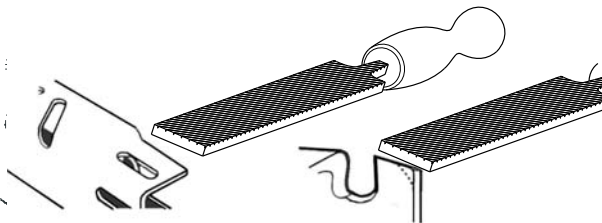
12



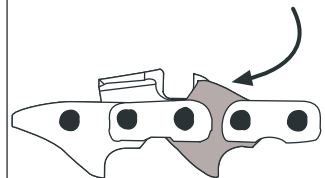
13



14



15

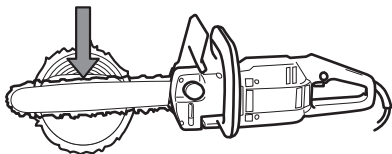




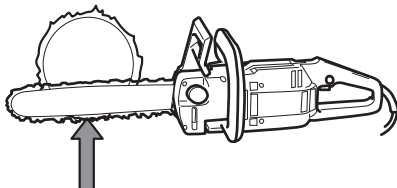
1



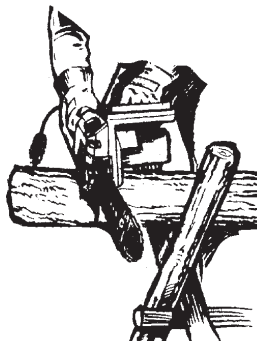
2



3

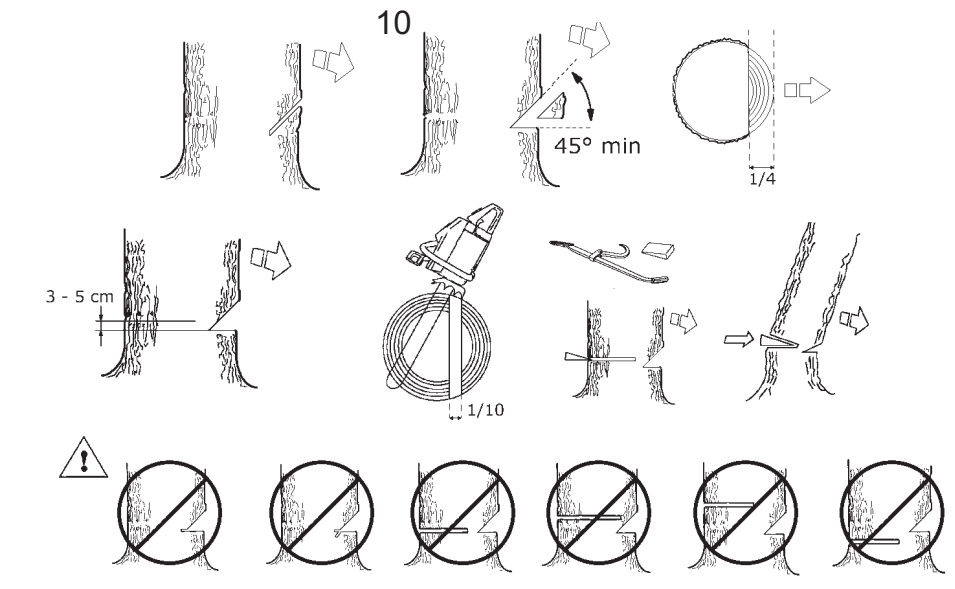
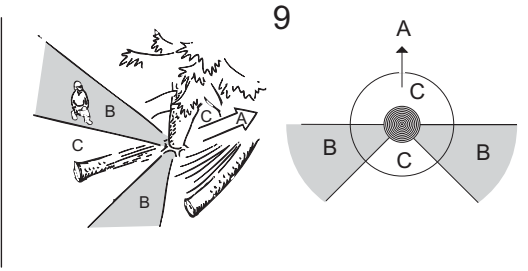
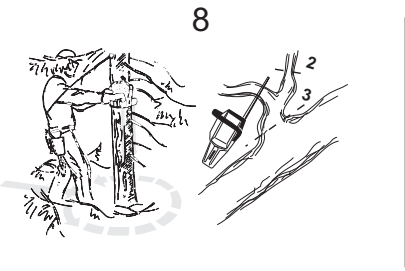
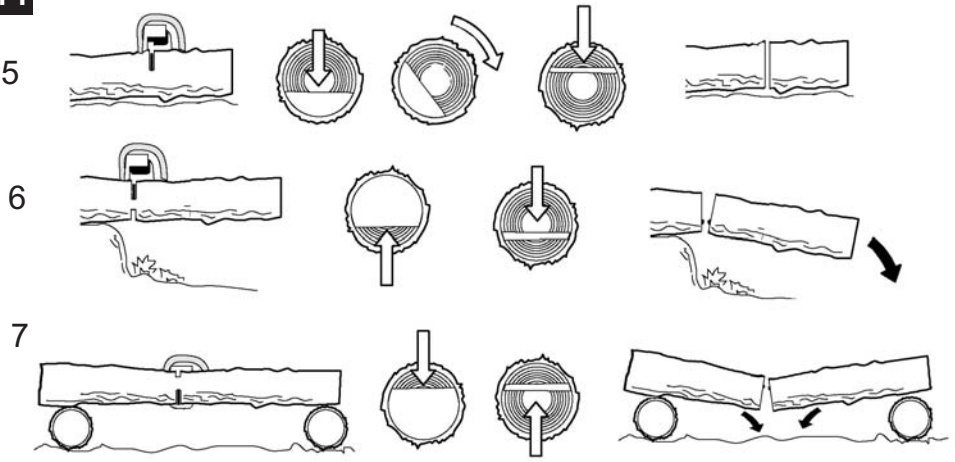


4



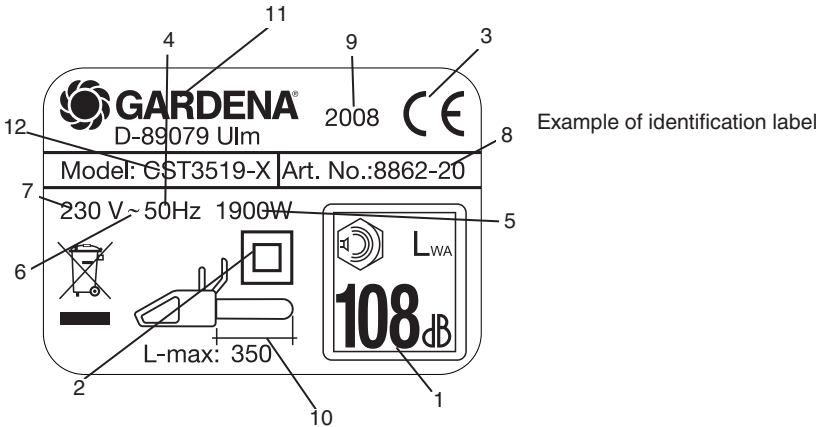


# H



## A. GENERAL DESCRIPTION

- |   |   |
|---|---|
| <ol style="list-style-type: none"> <li>1) Cable</li> <li>2) Rear handle</li> <li>3) Rear hand guard</li> <li>4) Oil tank inspection gauge</li> <li>5) Air vents</li> <li>6) Switch</li> <li>7) Oil tank cap</li> <li>8) Front handle</li> <li>9) Front hand guard/chain brake lever</li> <li>10) Spiked bumper</li> <li>11) Chain tensioner knob</li> <li>12) Chain catcher</li> <li>13) Drive sprocket cover</li> <li>14) Lubrication hole</li> <li>15) Guide bar groove</li> <li>16) Guide bar</li> </ol> | <ol style="list-style-type: none"> <li>17) Nose sprocket</li> <li>18) Chain tensioning mechanism</li> <li>19) Switch block</li> <li>20) Guide bar cover</li> <li>21) Chain</li> <li>22) Manual</li> <li>23) Cutting tooth</li> <li>24) Cutting depth gauge</li> <li>25) Drive tooth</li> <li>26) Cutting link</li> <li>27) Drive sprocket</li> <li>28) Bar retaining screw</li> <li>29) Cable strain relief</li> <li>30) Magnet</li> <li>31) Thermal Cut-Out</li> <li>32) Oil Bottle</li> </ol> |
|---|---|



- 1) Guaranteed sound power according to directive 2000/14/EC
- 2) Class II tool
- 3) CE marking of conformity
- 4) Rated frequency
- 5) Rated power
- 6) Alternating current
- 7) Rated voltage
- 8) Product code
- 9) Year of manufacture
- 10) Maximum length of guide bar
- 11) Manufacturer's name and address
- 12) Model

## B. SAFETY PRECAUTIONS

### MEANING OF SYMBOLS



Warning!



Read the instruction manual carefully



Protective boots



Protective goggles or visor, protective helmet and hearing protection



Protective cut-proof gloves



Protective long, cut-proof trousers



Chain brake:  
deactivated, activated



Remove plug from the mains immediately if the cable is damaged or cut



Keep bystanders away



Correct direction of the cutting teeth.



Always grip the machine with two hands



Kickback danger



Do not expose to rain or moisture.



Chain oil



Refrain from



Turn the machine off



Disconnect the plug before adjusting or cleaning.



Risk of electric shock

#### General Power Tool Safety Warnings

**WARNING** Read all safety warnings and all instructions. Failure to follow the warnings and instructions may result in electric shock, fire and/or serious injury.

Save all warnings and instructions for future reference.

The term "power tool" in the warnings refers to your mains-operated (corded) power tool.

#### 1) Work area safety

- Keep work area clean and well lit. Cluttered or dark areas invite accidents.
- Do not operate power tools in explosive atmospheres, such as in the presence of flammable liquids, gases or dust. Power tools create sparks which may ignite the dust or fumes.
- Keep children and bystanders away while operating a power tool. Distractions can cause you to lose control.

#### 2) Electrical safety

- Power tool plugs must match the outlet. Never modify the plug in any way. Do not use any adaptor plugs with earthed (grounded) power tools. Unmodified plugs and matching outlets will reduce risk of electric shock.
- Avoid body contact with earthed or grounded surfaces such as pipes, radiators, ranges and refrigerators. There is an increased risk of electric shock if your body is earthed or grounded.
- Do not expose power tools to rain or wet conditions. Water entering a power tool will increase the risk electric shock.
- Do not abuse the cord. Never use the cord for carrying, pulling or unplugging the power tool. Keep cord away from heat, oil, sharp edges or moving parts. Damaged or entangled cords increase the risk of electric shock.
- When operating a power tool outdoors, use an extension cord suitable for outdoor use. Use of a cord suitable for outdoor use reduces the risk of electric shock.

f) If operating a power tool in a damp location is unavoidable, use a residual current device (RCD) protected supply. *Use of an RCD reduces the risk of electric shock.*

### 3) Personal safety

- a) **Stay alert, watch what you are doing and use common sense when operating a power tool. Do not use a power tool while you are tired or under the influence of drugs, alcohol or medication. A moment of inattention while operating power tools may result in serious personal injury.**
- b) **Use personal protective equipment. Always wear eye protection.** *Protective equipment such as dust mask, non-skid safety shoes, hard hat, or hearing protection used for appropriate conditions will reduce personal injuries. Obtainable from a workwear supplier.*
- c) **Prevent unintentional starting. Ensure the switch is in the off-position before connecting to power source and/or battery pack, picking up or carrying the tool.** *Carrying power tools with your finger on the switch or energising power tools that have the switch on invites accidents.*
- d) **Do not overreach. Keep proper footing and balance at all times.** *This enables better control of the power tool in unexpected situations.*
- e) **Dress properly. Do not wear loose clothing or jewellery. Keep your hair, clothing and gloves away from moving parts. Loose clothes, jewellery or long hair can be caught in moving parts.**
- 4) **Power tool use and care**
- a) **Do not force the power tool. Use the correct power tool for your application.** *The correct power tool will do the job better and safer at the rate for which it was designed.*
- b) **Do not use the power tool if the switch does not turn it on and off.** *Any power tool that cannot be controlled with the switch is dangerous and must be repaired.*
- c) **Disconnect the plug from the power source before making any adjustments, changing accessories, or storing power tools.** *Such preventive safety measures reduce the risk of starting the power tool accidentally.*
- d) **Store idle power tools out of the reach of children and do not allow persons unfamiliar with the power tool or these instructions to operate the power tool.** *Power tools are dangerous in the hands of untrained users.*
- e) **Maintain power tools. Check for misalignment or binding of moving parts, breakage of parts and any other condition that may affect the power tool's operation. If damaged, have the power tool repaired before use.** *Many accidents are caused by poorly maintained power tools.*
- f) **Keep cutting tools sharp and clean.** *Properly maintained cutting tools with sharp cutting edges are less likely to bind and are easier to control.*
- g) **Use the power tool, accessories and tool bits etc. in accordance with these instructions, taking into account the working conditions and the work to be performed.** *Use of the power tool for operations different from those intended could result in a hazardous situation.*

### 5. Service

- a) **Have your power tool serviced by a qualified repair person using only identical replacement parts.** *This will ensure that the safety of the power tool is maintained.*

#### Chain saw safety warnings:

- **Keep all parts of the body away from the saw chain when the chain saw is operating. Before you start the chain saw, make sure the saw chain is not contacting anything.** *A moment of inattention while operating chain saws may cause entanglement of your clothing or body with the saw chain.*
- **Always hold the chain saw with your right hand on the rear handle and your left hand on the front handle.** *Holding the chain saw with a reversed hand configuration increases the risk of personal injury and should never be done.*
- **Hold the power tool by insulated gripping surfaces only, because the saw chain may contact hidden wiring or its own cord.** *Saw chains contacting a "live" wire may make exposed metal parts of the power tool "live" and could give the operator an electric shock.*
- **Wear safety glasses and hearing protection. Further protective equipment for head, hands, legs and feet is recommended.** *Adequate protective clothing will reduce personal injury by flying debris or accidental contact with the saw chain. Obtainable from a workwear supplier.*
- **Do not operate a chain saw in a tree.** *Operation of chain saw while up a tree may result in personal injury.*
- **Always keep proper footing and operate the chain saw only when standing on fixed, secure and level surface.** *Slippery or unstable surfaces such as ladders may cause a loss of balance or control of the chain saw.*
- **When cutting a limb that is under tension be alert for spring back.** *When the tension in the wood fibres is released the spring loaded limb may strike the operator and/or throw the chain saw out of control.*
- **Use extreme caution when cutting brush and saplings.** *The slender material may catch the saw chain and be whipped forward toward you or pull you off balance.*
- **Carry the chain saw by the front handle with the chain saw switched off and away from your body.** *When transporting or storing the chain saw always fit the guide bar cover. Proper handling of the chain saw will reduce the likelihood of accidental contact with the moving saw chain.*
- **Follow instructions for lubricating, chain tensioning and changing accessories.** *Improperly tensioned or lubricated chain may either break or increase the chance for kickback.*
- **Keep handles dry, clean and free from oil and grease.** *Greasy, oily handles are slippery causing loss of control.*
- **Cut wood only. Do not use chain saw for purposes not intended. For example: do not use chain saw for cutting plastic, masonry or non-wood building materials.** *Use of the chain saw for operations different than intended could result in a hazardous situation.*

### Causes and operator prevention of kickback:

Kickback may occur when the nose or tip of the guide bar touches an object (**Fig B3**), or when the wood closes in and pinches the saw chain in the cut.

Tip contact in some cases may cause a sudden reverse reaction, kicking the guide bar up and back towards the operator.

Pinching the saw chain along the top of the guide bar may push the guide bar rapidly back towards the operator.

Either of these reactions may cause you to lose control of the saw which could result in serious personal injury. Do not rely exclusively upon the safety devices built into your saw. As a chain saw user, you should take several steps to keep your cutting jobs free from accident or injury.

Kickback is a result of tool misuse and/or incorrect operating procedures or conditions and can be avoided by taking proper precautions as given below:

- **Maintain a firm grip, with thumbs and fingers encircling the chain saw handles, with both hands on the saw and position your body and arm to allow you to resist kickback forces.** *Kickback forces can be controlled by the operator, if proper precautions are taken. Do not let go of the chain saw.*
- **Do not overreach and do not cut above shoulder height.** *This helps prevent unintended tip contact and enables better control of the chain saw in unexpected situations.*
- **Only use replacement bars and chains specified by the manufacturer.** *Incorrect replacement bars and chains may cause chain breakage and/or kickback.*
- **Follow the manufacturer's sharpening and maintenance instructions for the saw chain.** *Decreasing the depth gauge height can lead to increased kickback.*

### Additional Safety Recommendations

1. **Manual use.** All persons using this machine must read the user manual completely with extreme care. The user manual must be included with the machine in the case of sale or loan to another person.
2. **Precautions prior to machine use.** Never permit this machine to be used by any persons who are not perfectly familiar with the manual instructions. Inexperienced persons must follow a training period operating on a saw horse only.
3. **Control checks.** Check the machine with care before use each time, especially if it has been subject to strong impact, or if it shows any signs of malfunction. Perform all operations described in the chapter "Maintenance & Storage – Before each use".
4. **Repairs and Maintenance.** All the machine parts that can be replaced personally, are clearly explained in the "Assembly / disassembly" instructions chapter. Where necessary, all other machine parts must be replaced exclusively by an Authorised Service Centre.

5. **Clothing. (fig B1)** When using this machine the user must wear the following approved individual protective clothing : close-fitting protective clothing, safety boots with non-slip soles, crush-proof toe protectors and cut-proof protection, cut-proof vibration-proof gloves, protective goggles or safety visor, ear protection muffs and helmet (if there is any danger of falling objects). Obtainable from a workwear supplier
6. **Health precautions – Vibrations and Noise levels.** Please be aware of noise restrictions in the immediate area. Prolonged machine use exposes the user to vibrations that can generate "white finger phenomenon" (Raynaud's Phenomenon), carpal tunnel syndrome and similar disturbances.
7. **Health precautions – Chemical agents.** Use oil which is approved by the manufacturer.
8. **Health precautions - Heat.** During use, sprocket and chain reach very high temperatures, take care not to touch these parts while hot.

**Transport and storage precautions. (fig B2)** Each time the work area is changed to another location, disconnect the machine from the mains supply and activate the chain brake lever. Mount the guide bar cover guard each time before transporting or storage. Always carry the machine by hand with the bar facing backwards, or when transporting the machine in a vehicle, always attach it securely to prevent damage.

**Kickback reaction. (fig B3)** The kickback reaction consists of a violent upwards-reverse action of the bar towards the user. This generally occurs if the upper part of the bar nose (called the "kickback danger zone" ) (see red marking on the Guide Bar) comes into contact with some object, or if the chain is blocked in the wood. Kickback can make the user lose control of the machine provoking dangerous and even fatal accidents. The chain brake lever and other safety devices are not sufficient to protect the user against injury: the user must be well aware of the conditions that can provoke the reaction, and prevent them by paying very close attention according to experience, together with prudent and correct machine handling (for example: never cut several branches at a time because this can cause accidental impact on the "kickback danger zone")

### Work area safety

1. Never allow children or people unfamiliar with these instructions to use the product. Local regulations may restrict the age of the operator.
2. Only use the product in the manner and for the functions described in these instructions.
3. Check the whole work area carefully to check for any danger source (e.g.: roads, paths, electric cables, dangerous trees, etc)
4. Keep all bystanders and animals well clear of the work area (where necessary, fence off the area and use warning signs) at a minimum distance of 2.5 x the trunk height; in any case no less than ten metres.
5. The operator or user is responsible for accidents or hazards occurring to other people or their property.

## Electrical safety

1. It is recommended that you use a Residual Current Device (R.C.D.) with a tripping current of not more than 30mA. Even with a R.C.D. installed 100% safety cannot be guaranteed and safe working practice must be followed at all times. Check your R.C.D. every time you use it.
2. Before use, examine the cable for signs of damage or ageing. If the cable is found to be defective, take the product to an Authorised Service Centre and have the cable replaced.
3. Do not use the product if the electric cables are damaged or worn.
4. Immediately disconnect from the mains electricity supply if the cable is cut, or the insulation is damaged. Do not touch the electric cable until the electrical supply has been disconnected. Do not repair a cut or damaged cable. Take the product to an Authorised Service Centre and have the cable replaced.
5. Always make sure that the cable/ extension cord is kept behind the user, ensuring that it does not create a source of danger for the user or for other persons, and check that it cannot be damaged (by heat, sharp objects, sharp edges, oil, etc);
6. Position the cable so that it will not be caught on branches and the like, during cutting.
7. Always switch off at the mains before disconnecting any plug, cable connector or extension cable.

8. Switch off, remove plug from mains and examine electric supply cable for damage or ageing **before** winding cable for storage. Do not repair a damaged cable. Take the product to an Authorised Service Centre and have the cable replaced.
9. Remove the plug from the mains before leaving the product unattended for any period.
10. Always wind cable carefully, avoiding kinking.
11. Use only on AC mains supply voltage shown on the product rating label.
12. The chainsaw is double insulated to EN60745-1 & 2-13.

## Cables

1. Mains cables and extensions are available from your local Approved service centre
2. Only use approved extension cables
3. Extension cables and leads should only be used if they are designed for outdoor use and comply with H07 RN-F or IEC 60245 designation 66.
4. If you want to use an extension cable when operating your product, only the following cable dimensions should be used:
  - 1.0 mm<sup>2</sup> : max length 40 m
  - 1.5 mm<sup>2</sup> : max length 60 m
  - 2.5 mm<sup>2</sup> : max length 100 m

## C. SAFETY EQUIPMENT DESCRIPTION

### SWITCH BLOCK

Your machine is equipped with a device (**fig.1a, 2a**) that when deactivated, stops the switch from being pressed thus preventing accidental start-up.

### CHAIN BRAKE ACTION ON SWITCH RELEASE


Your machine is equipped with a device that blocks the chain immediately as soon as the switch is released; If this device should not work at any time, the machine must NOT be used and must be taken to an Authorised Service Centre.

### FRONT HAND GUARD / CHAIN BRAKE LEVER

The front hand guard (**fig.1b, 2b**) is designed to prevent your left hand from coming into contact with the chain (on condition that the machine is held correctly according to instructions). The front hand guard also acts as a chain brake, including a device that stops the chain in less than 0.15 of a second in the case of kickback. The chain brake is released when the front hand guard is pulled backwards and clicked in position (**fig.3a, 3b**). The chain brake is activated when the front hand guard is pushed forward and the chain is stopped (see ON-STOP indication) (**fig.4a, 4b**). The chain brake can be activated using the left wrist by pushing forwards, or when the wrist comes into contact with the front hand guard as a result of kickback.

When the machine is used with the bar in horizontal position, for example during tree felling, the chain brake offers less protection. (**fig.5**).

N.B.: When the chain brake is activated, a safety switch cuts off all current to the motor.

 **Releasing the chain brake whilst the switch is held will start the product.**

### CHAIN CATCHER

This machine is equipped with a chain catcher (**fig.6a, 6b**) located under the sprocket. This mechanism is designed to stop the backward chain movement in the case of chain breaking or derailing. These situations can be avoided by ensuring correct chain tension (Refer to chapter "D. Assembly/disassembly").

### REAR HAND GUARD

This acts to protect (**fig.7a, 7b**) the hand in the case of chain breaking or derailing.

### THERMAL CUT-OUT

The Motor is protected by a Thermal Cut-Out Switch (**fig 1c, 2c**) which is activated when the chain becomes jammed or if the motor is overloaded. When this occurs, stop and remove the plug from the power supply, clear any obstruction and wait for a few minutes for the product to cool down. Reset by pushing back in the Thermal Cut-Out Switch.

 **Resetting the Thermal Cut-out Switch with the chain brake released and the switch held will start the product.**

## D. ASSEMBLY / DISASSEMBLY

### BAR AND CHAIN ASSEMBLY

Take great care when assembling to ensure this is performed correctly.

#### Remove the plug from the power supply before working on the product.

1a & 1b. Check that the chain brake is not activated. If so, deactivate it.

2a & 2b. Unscrew the chain tensioning knob and rotate in an anti-clockwise direction to remove the drive sprocket cover.

#### Wear Gloves.

3 Position the chain over the bar, starting at the nose sprocket, fitting it into the guide bar groove. Ensure that the sharp side of the cutting teeth face in a forward direction on the upper part of the bar.(see markings on the bar)

4. Rotate the chain tensioning mechanism anti-clockwise as far as possible.

5a & 5b. Mount the bar on the bar retaining screw and it will attach to the magnet. Position the chain over the drive sprocket.

6a & 6b. Replace the drive sprocket cover, ensuring the drive teeth of the chain are engaged in the drive sprocket and in the bar guide groove.

7a & b. To tension the chain, turn the chain tensioner knob in a clockwise direction until securely tightened. The chain is now tensioned correctly for use.

Tensioning the chain too tightly will overload the motor and cause damage. Insufficient tension can provoke chain derailing, whereas a chain tightened correctly provides the best cutting characteristics and prolonged work life. Check the tension regularly because the chain length tends to stretch with use (especially when the chain is new; after the first assembly, the chain tension must be checked after a few minutes machine operation); in any case do not tighten the chain immediately after use, but wait until it cools down. In cases where the loosened chain needs to be adjusted, always unscrew the chain tensioning knob 2 turns and then securely tighten again leaving the chain tensioned for use.

#### Warning:- The chain and guide bar can become very hot

## E. START-UP AND STOPPING

**Start-up:** grip both handles firmly, release the chain brake lever whilst ensuring hand is still on front handle, press and maintain the switch block (**fig E1**) pressed in, then press the switch (**fig E2**) (at this point the switch block can be released).

**Stopping:** The machine will stop whenever the switch is released or by activating the chain brake.

## F. BAR AND CHAIN LUBRICATION

**ATTENTION!** Insufficient lubrication will provoke chain breaking and can cause serious injury.

Refer to "Maintenance & Storage" for indications on ensuring that the chain oil is sufficiently distributed.

### Choice of chain oil

Use oil which is approved by the manufacturer.

We advise the use of bio chain oil which is biologically degradable.

### Filling oil tank

Unscrew the oil tank cap, and fill the tank taking care not to spill any oil (if this occurs clean the machine carefully) and then screw the cap back on tightly.



## G. MAINTENANCE AND STORAGE

**⚠ Before performing any maintenance or cleaning, remove the plug from the mains.**

**⚠ ATTENTION!** In cases where work environments are particularly dirty or dusty, the operations described must be performed more frequently than mentioned in the instructions.

### Before each use

Check that the chain oil pump functions correctly: direct the bar towards a clear surface at a distance of about 20 centimetres; after the machine has run for about a minute, the surface should show clear traces of oil (fig.1).

Check that excessive strength is not needed for activating and deactivating the chain brake. Also check that it is not activated too easily and that it is not blocked. Then check chain brake function as follows: release the chain brake, grip the machine correctly and start up the machine, activate the chain brake by pushing the front hand guard forward with the left wrist or arm but without removing the hand from the handle (fig.2). If the chain brake is working correctly, the chain should be stopped immediately.

Check that the chain is sharpened correctly, in good working condition and that the tension is correct. If the chain is irregularly worn, or if the cutting teeth are only 3 mm long, the chain must be replaced (fig.3).

Clean the air vents regularly to prevent motor overheating (fig 4a, 4b).

Check that the switch and switch block function correctly (to be performed with the chain brake released): press the switch and the switch block and ensure that they return to idle position as soon as they are released; check that it is impossible to press the switch without activating the switch block.

Check that the chain catcher and the right hand guard are in correct condition without any visible faults such as damaged material.

### Every 2-3 hours of use

Check the bar condition, if necessary clean the lubrication holes (fig.5) and the guide grooves (fig.6) carefully; if the groove is worn or shows signs of deep notching, it must be replaced. Clean the drive sprocket regularly and check that it has not been subject to excess wear (fig.7). Lubricate the nose sprocket with bearing grease through the hole shown in the illustration (fig.8).

### Chain sharpening

Contact an Authorised Service Centre regarding any problems with sharpening the chain.

**⚠ The chain needs to be correctly sharpened. A wrongly sharpened chain can cause kickback and a high risk of injury.**

If the chain does not cut correctly, or requires hard bar pressure against the wood, and if the sawdust is very fine, this is a sign that it is not sharpened correctly. If the cutting action produces no sawdust, this means the cutting edge has been worn completely and the chain is pulverising the wood during cutting. A well-sharpened chain crosses through the wood without effort or pressure and produces large long wood shavings.

The cutting side of the chain is composed of the cutting link (fig.9) with a cutting tooth (fig.10) and a cutting limit gauge (fig.11). The difference between these determines the cutting depth; a file guide and a 4mm diameter round file are needed to obtain good sharpening results; Follow the instructions below: Once the chain has been mounted and the tension is correctly adjusted, and the chain brake is activated, position the file guide perpendicular to the bar as shown in the illustration (fig.12), filing the cutting teeth at the angle shown (fig.13A, 13B), always working from the interior towards the exterior, lessening the pressure during the return stage (it is very important to follow the instructions perfectly: excessive or insufficient sharpening angles or an incorrect file diameter will increase the risk of kickback.) To obtain higher precision on side angles, it is advisable to position the file so that it exceeds the upper cutter by about 0.5 mm. File all the teeth on one side first, then turn the machine over and repeat the operation. Make sure that after sharpening operations, all teeth are the same length and that the height of the depth gauge is 0.6 mm lower than the upper cutter: check the height using a proper template and file (with a flat file) all protruding parts, rounding off the front part of the depth gauge (fig.14), paying attention to not file the kickback protection tooth (fig.15)

### Every 30 hours use.

Take the machine to the Authorised Service Centre

### Storage/Transport

Allow the product to cool down and place the cover over the bar and chain.

Store the product in a cool, dry, place and out of reach of children. Do not store outdoors.

Ensure the oil does not leak out from the product.

## H. CUTTING TECHNIQUES

### (fig.1) When using the machine, prevent:

- cutting in conditions where the trunk could split during cutting (wood under pressure, dry dead trees, etc): sudden splitting can be very dangerous.

- the bar or the chain from becoming blocked in the cutting notch: if this should occur, disconnect the machine from the main electricity supply and try to raise the trunk using an appropriate tool as a lever; do not attempt to free the machine by shaking or pulling as this could cause damage or injury.

- situations that can lead to kickback reactions.

- using the product above shoulder height

- cutting wood with foreign objects e.g. nails

Never use the machine in earth or stones, this leads to immediate wear of the chain.

### (fig.1) During machine use:

- When cutting on sloping ground, always work uphill of the trunk to avoid being hit if the trunk should roll downhill.

- When felling trees, always finish the job: a partially cut tree could break and fall.

- At the end of each cutting operation the user will notice a considerable change in the strength necessary for controlling the machine. Great care must be taken not to loose control.

Below is a description of two different types of cutting operation:

Cutting action by pulling the chain (from top to bottom) (fig.2) can lead to dangerous sudden movement of the machine towards the trunk with consequential loss of control. Where possible, use the spiked bumper during cutting operations.

Cutting action pushing the chain (from bottom to top) (fig.3) will lead to the danger of a sudden movement of the machine in the direction of the user, with the risk of hitting the user, or an impact of the "kickback danger zone" on the trunk resulting in strong kickback; extreme care must be taken when cutting in this manner.

The safest method for using the machine, is to block the log on a sawhorse, cutting from top to bottom, on the portion outside the sawhorse. (fig.4)

#### Spiked bumper use.

Where possible, use the spiked bumper to ensure safer cutting action: plant it in the bark or surface of the trunk in order to maintain more control over the machine.

Below are descriptions of typical cutting procedure to be adopted for specific situations. However, these should be assessed each time to calculate whether the method is most suitable or not, in order to use a method with the least possible risk.

**Trunk on the ground.** (Risk of touching the ground with the chain once the bar has passed through the trunk). (fig.5)

Cut from top to bottom through the whole trunk. Towards the end of the cut, proceed very carefully to prevent the chain from hitting the ground. If it is possible, cut 2/3 of the trunk, roll it over, and cut the remaining third from top to bottom to limit the risk of the chain touching the ground.

**Trunk supported at one end only** (Risk of trunk breaking during cutting action). (fig.6)

Begin the cut from underneath for about 1/3 of the diameter, and then finish the cutting action from the top to meet the undercut.

**Trunk supported at both ends.** (Risk of pinching the chain). (fig.7)

Begin the cut from above for about 1/3 of the diameter, and then continue from underneath to meet the undercut.

**Trunk laying on a slope.** Always stand on the uphill side of the log. When 'cutting through', to maintain complete control, release the cutting pressure near the end of the cut without relaxing your grip on the chainsaw handles. Do not let the chain contact the ground.

#### Tree felling.

**ATTENTION!** Never attempt to fell a tree if you do not have the necessary experience, and in any case never fell trees that have trunks with a diameter larger than the length of the bar! This operation is reserved for expert machine users with adequate equipment.

When felling a tree, the aim is to have the tree fall in the most convenient position for the following limbing and bucking operations. (Avoid trees falling on top of other trees: Felling trees that are entangled with other trees is a very dangerous operation).

First of all decide which is the best direction for the tree to fall by evaluating the following: objects or other plants around the tree, the inclination, the curve, wind direction, and greatest branch concentration. Take into account dead or broken branches that may break off during felling creating a further danger risk.

**ATTENTION!** During tree felling operations in critical conditions, always remove ear protection immediately after cutting operations to be able to listen for unusual noises and any warning signals.

#### Preliminary cutting operations and identifying the retreat path.

Eliminate any branches that interfere with the job (fig.8), starting from top to bottom, and then, always keeping the trunk between the user and the machine eliminate the more difficult branches afterwards, piece by piece. Eliminate all plants that interfere with work operations and control the area for possible obstacles (rocks, roots, ditches, etc.) when planning the retreat path (to follow during tree fall); Refer to the illustration (fig.9) for the directions to be maintained (A. predicted tree fall direction. B. Retreat path. C. Danger zone).

#### FELLING CUTS (fig.10)

In order to ensure that the user has complete control over the tree fall, the cutting instructions are as follows:

The cut that controls the fall direction of the tree is to be executed first: First of all cut the UPPER PART of the directional notch on the side the tree must fall. Remain on the right hand side of the tree and cut using the chain pull method; then cut the LOWER PART that must meet the end of the upper part. The depth of the directional notch must be 1/4 of the trunk diameter, with an angle of at least 45° between upper and lower cut. The meeting point between the two sides of the notch is called "directional cut line" This line must be perfectly horizontal at right angles (90°) to the felling direction.

The felling cut that provokes the tree fall, is performed at 3 to 5cm above the lower part of the directional felling cut line, finishing at a distance of 1/10 of the trunk from the notch. Remain on the left hand side of the tree and cut using the chain pulling method and the spiked bumper. Check that the tree does not move in a direction other than that predicted for the fall. As soon as possible insert a felling lever or wedge into the cut. The uncut part of the trunk is called the "hinge", as it is intended to guide the tree as it falls; in cases where the cuts are not sufficient, not straight, or have been cut through completely, the tree fall cannot be controlled (extremely dangerous!). For this reason the various cuts must be performed with great precision.

When cutting operations are completed the tree will begin to fall. Where necessary help tree fall using wedges or felling levers.

#### Limbing

Once the tree has been felled, the trunk must be limbed: in other words, the branches are removed from the trunk. Do not underestimate this operation because the large majority of kickback accidents occur during this stage. For this reason pay close attention to the position of the bar nose during cutting operations and always work on the left hand side of the trunk.

## ENVIRONMENTAL INFORMATION

This section contains information useful for maintaining the characteristic of ecocompatibility included in the origin design of the machine, and as regards proper use and disposal of chain oil


### USE OF THE MACHINE

The operations of filling the oil tank should be carried out in such a way as to avoid spilling oil and contaminating the soil and the environment.

### DISPOSAL

Do not dispose of the machine inappropriately when it is no longer usable. Deliver it to an authorized organization for proper disposal in compliance with the regulation in force.



The symbol  on the product or on its packaging indicates that this product may not be treated as household waste. Instead it shall be handed over to the applicable collection point for the recycling of electrical and electronic equipment. By ensuring this product is disposed of correctly, you will help prevent potential negative consequences for the environment and human health, which could otherwise be caused by inappropriate waste handling of this product. For more detailed information about recycling of this product, please contact your local council office, your household waste disposal service or the shop where you purchased the product.

**The chain and chain guide are consumables and are not covered by the guarantee.**

## TROUBLESHOOTING TABLE

	Motor does not start	Motor turns with difficulty or loses power	The machine starts but does not cut properly	Motor turns improperly or at reduced speeds	Braking devices do not stop the chain properly
Make sure the main line is powered	●				
Make sure the machine is properly plugged in	●				
Make sure your cable/ext. cord is not damaged	●				
Make sure that chain brake is not activated	●				
Check that chain is properly assembled and tensioned		●	●		
Check chain lubrication as in chapters F and G		●	●		
Make sure that the chain is sharp			●		
Check Thermal cut-out switch is activated	●				
Contact your authorised centre	●	●		●	●

## EU Certificate of Conformity

The undersigned Husqvarna AB, S-561 82, Huskvarna, Sweden, hereby certifies that, when leaving our factory, the units indicated below are in accordance with the harmonised EU guidelines, EU standards of safety and product specific standards. This certificate becomes void if the units are modified without our approval.

Description of Unit.....**Electric Chainsaw**  
 Type(s) .....**CST3519-X, CSI4020-X - CS = Chainsaw**  
 Year of CE Marking..... **2009**

EU Directives:

**2006/42/EC, 2004/108/EC, 2000/14/EC, 2011/65/EU**

Harmonised EN:

**EN60745-1, EN60745-2-13, EN50366, EN55014-1, EN61000-3-2, EN61000-3-11**

Notified Body that carried out the EC type-examination..... MEEI Kft., 1007  
 Váci út 48/a-b  
 1132 Budapest  
 Hungary

Certificate no. .... **M3 69240049 (CST 3519-X)**  
**M3 69240050 (CST 4020-X)**

Ulm 18/02/2013

Peter Lameli  
 Global R & D Director - Hand Held  
 Keeper of technical documentation



Type	CST3519-X	CSI4020-X
Art. no.	8862	8863
Dry Weight (kg)	5.6	5.5
Power (kW)	1.9	2.0
Oil tank volume (cm <sup>3</sup> )	180	180
Chain pitch (inches)	3/8	3/8
Chain gauge (mm)	1.3	1.3
Maximum length of guide bar (mm)	350	400
Measured Sound Power L <sub>WA</sub> <sup>2)</sup> (dB(A))	106	106
Guaranteed Sound Power L <sub>WA</sub> <sup>2)</sup> (dB(A))	108	108
Sound pressure Level L <sub>PA</sub> <sup>1)</sup> (dB(A))	95	95
Uncertainty K <sub>PA</sub> (dB(A))	2.5	2.5
Value a <sub>h</sub> <sup>1)</sup> (m/s <sup>2</sup> )	5.9	5.3
Uncertainty K <sub>ah</sub> (m/s <sup>2</sup> )	1.5	1.5
Mains-Impedance Z <sub>max</sub> (Ω)	0.310	0.314
Cutting Speed (m/s)	12	15

1) Working area related emission characteristic **Level** L<sub>PA</sub> according to EN60745-2-13 given in the table.

Vibrations **Value** a<sub>h</sub> according to EN60745-2-13 given in the table.

The declared vibration total value has been measured in accordance with a standard test method and may be used for comparing one tool with another.

The declared vibration total value may also be used in a preliminary assessment of exposure.

**Warning:**

The vibration emission during actual use of the power tool can differ from the declared total value depending on the ways in which the tool is used

Operators should identify safety measures to protect themselves that are based on an estimation of exposure in the actual conditions of use (taking account of all parts of the operating cycle such as the times when the tool is switched off and when it is running idle in addition to the trigger time).

2) The Noise Level L<sub>WA</sub> values according to 2000/14/EC are given in the table.

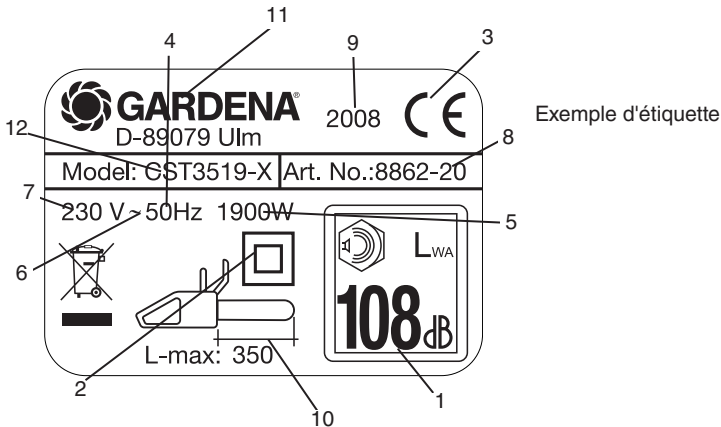
Conformity Assessment Procedure..... Annex V

**EN 61000-3-11 Compliance statement**

Depending on the characteristics of the local electricity supply network, use of this product may result in short voltage drops at the instant of switching on. This may influence other electrical equipment e.g a momentary dimming of a lamp. If the **Mains impedance Z<sub>max</sub>** of your electricity supply is less than the value shown in the table (applicable to your model) then these effects will not occur. The value of the network impedance may be determined by contacting your electricity supply authority.

## A. DESCRIPTION GENERALE

- |   |   |
|---|---|
| <ul style="list-style-type: none"> <li>1) Câble</li> <li>2) Poignée arrière</li> <li>3) Protection poignée arrière</li> <li>4) Jauge de réservoir d'huile</li> <li>5) Grilles d'aération</li> <li>6) Interrupteur</li> <li>7) Bouchon réservoir d'huile</li> <li>8) Poignée avant</li> <li>9) Protection poignée avant/<br/>Levier frein de chaîne</li> <li>10) Pare-choc à pointe</li> <li>11) Molette du tendeur de chaîne</li> <li>12) Accroche câble</li> </ul> | <ul style="list-style-type: none"> <li>17) Pignon avant</li> <li>18) Mécanisme prétensionneur de chaîne</li> <li>19) Bloc de distribution</li> <li>20) Couvercle barre de guidage</li> <li>21) Chaîne</li> <li>22) Manuel</li> <li>23) Dent de coupe</li> <li>24) Jauge de profondeur de coupe</li> <li>25) Dent d'entraînement</li> <li>26) Lien de coupe</li> <li>27) Pignon d'entraînement</li> <li>28) Vis de retenue barre</li> <li>29) Dégagement câble</li> <li>30) Aimant</li> <li>31) Interrupteur thermique</li> <li>32) Réservoir d'huile</li> </ul> |
|---|---|



- 1) Niveau de puissance sonore garanti selon la directive 2000/14/CE
- 2) Outil Classe II
- 3) Marquage de conformité CE
- 4) Fréquence nominale
- 5) Puissance nominale
- 6) Courant alternatif
- 7) Tension nominale
- 8) Référence produit
- 9) Année de fabrication
- 10) Longueur maximum de la barre de guidage
- 11) Nom et adresse du constructeur
- 12) Modèle

## B. PRECAUTIONS POUR LA SECURITE

### SYMBOLES UTILISES

	Attention		Direction de la gouge
	Lire attentivement le manuel		Tenir toujours à deux mains
	Bottes de travail		Risque d'effet de rebond
	Casque, protège-oreilles et lunettes de protection ou visière		Ne pas exposer à la pluie ou à l'humidité
	Gants anti-coupe		Huile chaîne
	Pantalons longs et anti-coupe		A ne pas faire...
	Frein désactivé, activé		Arrêter la machine
	Retirer la prise du secteur immédiatement si le câble est endommagé ou coupé		Débrancher la prise avant tout réglage ou nettoyage
	Éviter toute personne à proximité		Risque de choc électrique

#### Précautions générales de sécurité pour les outils électriques

**⚠ AVERTISSEMENT** Lire tous les avertissements de sécurité et toutes les instructions. Tout manquement au respect des avertissements et instructions peut être la cause d'un choc électrique, d'un incendie et/ou de blessures graves.

Conservé tous les avertissements et instructions pour référence future.

Le terme "outil électrique" dans les avertissements se rapporte à tous les outils câblés alimentés sur le secteur domestique et à tous les outils électriques sans fil alimentés par des piles.

#### 1) Sécurité sur le lieu de travail

- S'assurer que toutes les zones de travail soient propres et bien éclairées.** Les zones encombrées ou sombres favorisent les accidents.
- Ne pas utiliser d'outil électrique dans une atmosphère explosive, ni en présence de liquides inflammables, de gaz ou de poussière.** Les outils électriques créent des étincelles qui peuvent provoquer l'inflammation de la poussière ou des vapeurs.

- Maintenir les enfants et spectateurs à distance en utilisant un outil électrique.** Les distractions peuvent être la cause d'une perte de contrôle.

#### 2) Sécurité électrique

- La fiche de l'outil électrique doit être adaptée à la prise de courant.** Ne jamais modifier la fiche de quelque manière que ce soit. Ne jamais utiliser d'adaptateur pour le branchement d'outils électriques avec un fil de terre. Les fiches d'origine et les prises correspondantes réduisent les risques de choc électrique.
- Éviter tout contact corporel avec les surfaces connectées à la terre, telles que tuyaux métalliques, radiateurs, cuisinières et réfrigérateurs.** Si le corps de l'utilisateur de l'outil électrique est connecté à la terre, le risque de choc électrique est plus présent.
- Ne pas exposer les outils électriques à la pluie ou à l'humidité.** La présence d'eau à l'intérieur de l'outil électrique augmente les risques de choc électrique.

- d) **Ne pas maltraiter le cordon d'alimentation de l'outil. Ne jamais utiliser le cordon d'alimentation électrique pour transporter, tirer ou débrancher l'outil électrique.** Maintenir le cordon à distance de toute source de chaleur, d'huile, de bords coupants ou de pièces en mouvement. *Un cordon électrique endommagé ou emmêlé augmente le risque de choc électrique.*
- e) **Lors de l'utilisation d'un outil électrique en extérieur, utiliser une rallonge appropriée pour utilisation extérieure.** *L'utilisation d'un câble d'alimentation électrique approprié aux conditions en extérieur réduit le risque de choc électrique.*
- f) **Si l'utilisation d'un outil électrique dans un lieu humide est inévitable, brancher l'outil sur une alimentation électrique protégée par un disjoncteur différentiel.** *La présence d'un disjoncteur différentiel dans le circuit réduit le risque de choc électrique.*
- 3) Sécurité individuelle**
- a) **Rester concentré sur le travail en cours et utiliser l'outil électrique raisonnablement. Ne pas utiliser un outil électrique si vous êtes fatigué, sous l'influence de drogues, d'alcool ou de médicaments.** *Le moindre moment d'inattention pendant l'utilisation d'un outil électrique peut être la cause de blessures graves.*
- b) **Utiliser les équipements de protection individuelle. Toujours porter des lunettes de protection.** *L'utilisation appropriée des équipements tels que masque antipoussière, chaussures antidérapantes, casque rigide et protection acoustique sur les oreilles réduit le risque de blessures personnelles. En vente chez tout fournisseur de vêtements de travail.*
- c) **Éviter tout risque de démarrage accidentel. S'assurer que l'interrupteur de l'outil soit sur la position arrêt avant de brancher l'alimentation électrique et/ou la batterie, de saisir l'outil ou de le transporter.** *Il est dangereux de porter l'outil en conservant le doigt sur la gâchette ou de le brancher alors que l'interrupteur est en position marche.*
- d) **Ne pas travailler à bout de bras. Se tenir debout fermement et bien équilibré.** *Ceci permet de mieux contrôler l'outil électrique dans des situations inattendues.*
- e) **S'habiller correctement. Ne pas porter de vêtements trop amples ou de bijoux. Faire attention que les cheveux, les habits et les gants soient hors de portée des pièces de l'outil en mouvement.** *Des vêtements trop amples, des bijoux ou des cheveux longs qui peuvent se prendre dans les pièces de l'outil en mouvement sont dangereux.*
- 4) Utilisation et maintenance des outils électriques**
- a) **Ne pas forcer en utilisant l'outil électrique. Utiliser l'outil de la puissance correcte pour l'application.** *L'outil approprié permettra de mieux réaliser la tâche en toute sécurité à la vitesse pour laquelle il a été conçu.*
- b) **Ne pas utiliser l'outil électrique si l'interrupteur marche/arrêt n'est pas opérationnel.** *Tout outil électrique qui ne peut pas être contrôlé par son interrupteur est dangereux et doit être réparé.*
- c) **Débrancher la fiche de la prise électrique de l'outil électrique avant d'effectuer les réglages, de changer d'accessoires, ou de ranger l'outil.** *De telles mesures préventives réduisent le risque de démarrage accidentel de l'outil.*
- d) **Ranger les outils non utilisés hors de portée des enfants et ne pas autoriser une personne qui n'est pas familière avec son utilisation et ces instructions à se servir de cet outil électrique.** *Les outils électriques sont dangereux entre les mains de personnes qui ne sont pas habituées à s'en servir.*
- e) **Assurer une bonne maintenance des outils électriques. Vérifier l'alignement et l'installation des pièces en mouvement, qu'il n'y a pas de pièces fracturées ou autrement endommagées qui puissent affecter le fonctionnement des outils électriques. En cas de dommages, faire réparer l'outil électrique avant de l'utiliser.** *Un grand nombre d'accidents résultent d'une mauvaise maintenance des outils.*
- f) **S'assurer que les outils de coupe sont aiguisés et propres.** *Des outils de coupe bien entretenus et bien aiguisés présentent moins de risques de se coincer et sont plus faciles à contrôler.*
- g) **Utiliser l'outil électrique, ses accessoires et les outils, etc. conformément à ces instructions, en tenant compte des conditions de travail et de l'application.** *L'utilisation d'un outil électrique pour des applications différentes de celles pour lesquelles il a été conçu peut être la cause d'une situation dangereuse.*
- 5. Révisions**
- a) **Faire réviser vos outils électriques par un technicien qualifié qui n'utilise que des pièces de rechange identiques.** *Ceci garantit le maintien de la sécurité de l'outil électrique.*
- Conseils de sécurité concernant la tronçonneuse :**
- **Garder toute partie du corps éloignée de la tronçonneuse lorsque celle-ci est en marche.** *Avant de mettre la tronçonneuse sous tension, s'assurer qu'elle n'est en contact avec aucun objet. Un moment d'inattention pendant son utilisation et vous risquez de vous blesser ou qu'elle accroche vos vêtements.*
  - **Toujours tenir la tronçonneuse avec votre main droite sur la poignée arrière et votre main gauche sur la poignée avant.** *En tenant la tronçonneuse dans la position opposée augment le risque de blessure corporelle et doit être évité.*
  - **Tenir l'outil électrique uniquement par les surfaces de prise isolées car la tronçonneuse pourrait entrer en contact avec un câblage dissimulé ou son propre cordon.** *En cas de contact de la tronçonneuse avec un conducteur sous tension, les pièces métalliques à découvert de l'outil transmettraient un choc électrique à l'utilisateur.*
  - **Porter des lunettes de sécurité et une protection pour les oreilles.** *Un équipement de protection supplémentaire pour la tête, les mains, les jambes et les pieds est recommandé.* *Des vêtements de protection adéquats réduiront le risque de blessure par projection de débris et tout contact accidentel avec la tronçonneuse. En vente chez tout fournisseur de vêtements de travail.*
  - **Ne pas utiliser la tronçonneuse dans un arbre.** *Utiliser la tronçonneuse en montant sur un arbre peut entraîner des blessures corporelles.*
  - **Garder toujours le corps bien stable et utiliser uniquement la tronçonneuse quand vous êtes sur une surface fixe, sûre et de niveau.** *Des surfaces glissantes ou instables, telles que des échelles, peuvent provoquer une perte d'équilibre ou de contrôle de la tronçonneuse.*
  - **Quand vous coupez une grosse branche qui est sous tension, penser à reculer.** *Quand la tension dans les fibres du bois se relâche, la branche délogée peut frapper l'opérateur et/ou mettre la tronçonneuse hors de contrôle.*
  - **Soyez très prudent lorsque vous coupez des buissons et de jeunes arbres.** *Les fines brindilles peuvent se prendre dans la chaîne et être projetés dans votre direction ou vous déséquilibrer.*
  - **Porter la tronçonneuse par la poignée avant, celle-ci étant hors tension et éloignée de votre corps.** *Quand vous transportez ou rangez la tronçonneuse, toujours fixer le couvercle de la barre de guidage. Une manipulation correcte de la tronçonneuse réduira la probabilité de contact accidentel avec la chaîne.*



- **Suivre les instructions concernant le graissage, la tension de chaîne et le remplacement des accessoires.** *Une chaîne incorrectement tendue ou lubrifiée peut soit se casser ou augmenter le risque de retour en arrière.*
- **Maintenir les poignées sèches, propres et exemptes d'huile et de graisse.** *Des poignées grasses sont glissantes, provoquant une perte de contrôle.*
- **Couper uniquement du bois. Ne pas utiliser la tronçonneuse pour tout autre usage. Par exemple : ne pas utiliser la tronçonneuse pour couper des matériaux de maçonnerie, matières plastiques ou autre que du bois de construction.** *Utiliser la tronçonneuse pour tout usage autre que celui prévu peut entraîner des risques.*

#### **Causes et prévention de tout retour vers l'opérateur :**

Le retour en arrière peut se produire quand l'avant ou le bout de la barre de guidage touche un objet (**Fig. B3**), ou quand le bois est trop proche et se prend dans la chaîne lors de la coupe.

Dans certains cas, le contact peut provoquer une réaction inverse soudaine, avec mouvement basculant de la barre de guidage en direction de l'opérateur.

L'accrochage de la tronçonneuse par le haut de la barre de guide peut entraîner rapidement celle-ci en arrière, vers l'opérateur.

Dans les deux cas, vous risquez de perdre le contrôle de la tronçonneuse et vous blesser sérieusement. Ne vous reposer pas exclusivement sur les dispositifs de sécurité équipant votre tronçonneuse. En tant qu'utilisateur de tronçonneuse, vous devez prendre les mesures nécessaires pour pouvoir effectuer tout travail de coupe sans risque d'accident ou de blessure.

L'effet de retour arrière est le résultat d'une mauvaise utilisation de l'outil et/ou de conditions ou procédures de fonctionnement incorrectes ; celui-ci peut être évité en prenant les précautions adéquates suivantes :

- **Maintenir une prise ferme, avec les pouces et les doigts enclenchant les poignées de la tronçonneuse, les deux mains sur l'appareil et en positionnant bien le corps et les bras pour résister à la pression de retour.** *La pression de retour peut être contrôlée par l'opérateur si des précautions adéquates sont prises. Ne pas laisser partir la tronçonneuse.*
- **Ne pas dépasser la portée de coupe ni couper au-dessus de la hauteur d'épaule.** *Cela permet d'éviter tout contact du bout non intentionnel et un meilleur contrôle de la tronçonneuse dans des situations imprévues.*
- **Utiliser uniquement des barres et chaînes de rechange spécifiées par le fabricant.** *Des barres et chaînes de rechange incorrectes peuvent entraîner une rupture de la chaîne et/ou un retour arrière.*
- **Suivre les instructions du fabricant concernant l'aliguisage et l'entretien de la tronçonneuse.** *Diminuer la hauteur de jauge de profondeur peut accroître le risque de retour arrière.*

#### **Recommandations de sécurité additionnelles**

1. **Utilisation du manuel.** Toute personne utilisant cet appareil doit lire entièrement et attentivement le manuel d'utilisation. Le manuel d'utilisation doit être fourni avec l'appareil dans le cas de vente ou de prêt à toute autre personne.
2. **Précautions préalables à l'utilisation de l'appareil.** Ne jamais autoriser l'utilisation de cet appareil par toute personne qui ne connaît pas parfaitement les instructions du manuel. Les personnes inexpérimentées doivent suivre une période d'entraînement en utilisant un fendeur à bois.

3. **Vérifications de contrôle.** Vérifier soigneusement l'appareil avant toute utilisation, en particulier s'il a subi un choc important ou s'il montre tout signe de mauvais fonctionnement. Réaliser toutes les opérations détaillées au chapitre "Entretien et rangement – Avant toute utilisation".
4. **Réparation et entretien.** Toutes les pièces de l'appareil pouvant être remplacées par l'utilisateur sont clairement détaillées dans le chapitre des instructions de "Montage / démontage". Lorsque c'est nécessaire, toutes les autres pièces de l'appareil doivent être remplacées exclusivement par un Centre de service agréé.
5. **Vêtements. (fig. B1)** Lors de l'utilisation de cet appareil, l'utilisateur doit porter les vêtements de protection approuvés suivants : vêtement de protection ajusté, chaussures de sécurité avec semelles antidérapantes, à bout renforcé, gants de protection anti-vibrations et anti-coupe, lunettes protectrices ou visière de sécurité, protections oreilles et casque (en cas de risque de chute d'objets). En vente chez tout fournisseur de vêtements de travail.
6. **Précautions santé – Vibrations et niveaux sonores.** Veuillez vous renseigner sur les restrictions de bruit dans la zone immédiate. L'utilisation prolongée de l'appareil expose l'utilisateur à des vibrations qui peuvent engendrer "le symptôme des doigts blancs" (le phénomène de Raynaud), le syndrome du canal carpien et autres troubles similaires.
7. **Précautions santé – agents chimiques.** Utiliser de l'huile approuvée par le fabricant.
8. **Précautions santé – Chaleur.** Durant l'utilisation, le pignon et la chaîne atteignent des températures très élevées ; prendre soin de ne pas toucher ces parties quand elles sont chaudes.

**Précautions de transport et rangement. (fig. B2)** A chaque changement de zone de travail, débrancher l'appareil du secteur et activer le frein de chaîne. Monter le couvercle de la barre de guidage lors de tout transport ou rangement. Toujours transporter l'appareil par la poignée, la barre orientée vers l'avant ou, lors du transport de l'appareil dans un véhicule, toujours l'attacher fermement pour éviter de l'endommager.

**Réaction de retour. (fig. B3)** La réaction de retour consiste en un mouvement inverse violent vers le haut de la barre en direction de l'utilisateur. Cela se produit en général à la partie supérieure de l'avant de la barre (appelée la "zone de danger de retour") (voir la marque rouge sur la barre de guidage) entre en contact avec un objet quelconque ou si la chaîne reste bloquée dans le bois. L'effet de retour peut faire perdre le contrôle de l'appareil, provoquant de graves accidents, voire fatals. Le levier du frein de chaîne et autres dispositifs de sécurité ne suffisent pas à protéger l'utilisateur contre tout risque de blessure ; l'utilisateur doit être prévenu des conditions qui peuvent provoquer la réaction et les éviter en faisant très attention et en manipulant l'appareil correctement et avec prudence (par exemple : ne jamais couper plusieurs branches à la fois car cela peut provoquer un impact accidentel sur la "zone de danger de retour")

#### **Sécurité de la zone de travail**

1. Ne jamais autoriser des enfants ou personnes ne connaissant pas ces instructions d'utiliser le produit. La réglementation locale peut limiter l'âge de l'opérateur.
2. Utiliser le produit seulement de la manière et pour les fonctions décrites dans ces instructions.
3. Vérifier soigneusement toute la zone de travail pour écarter toute source de danger (ex. : routes, chemins, câbles électriques, arbres dangereux, etc.)

- Maintenir les passants et animaux éloignés de la zone de travail (le cas échéant, clôturer la zone et utiliser des panneaux d'avertissement) à une distance minimum de 2,5 x la hauteur de l'arbre ; dans tous les cas , pas moins de dix mètres.
- L'opérateur ou utilisateur est responsable des accidents ou dangers survenant à d'autres personnes sur leur propriété.
- Toujours débrancher du secteur avant d'enlever toute prise, connecteur de câble ou rallonge.
- Eteindre, enlever la prise du secteur et vérifier que le câble d'alimentation électrique n'est pas endommagé ou usé avant de l'enrouler pour le ranger. Ne pas réparer un câble endommagé. Porter le produit dans un Centre de service agréé pour faire remplacer le câble.

#### Sécurité électrique

- Il est recommandé d'utiliser un dispositif à courant résiduel (RCD) avec un courant de déclenchement de 30mA maximum. Même avec un RCD installé, il est impossible de garantir 100% de sécurité et une pratique de travail sûre doit être suivie à chaque fois. Contrôler votre RCD à chaque fois que vous l'utilisez.
- Vérifiez que le câble ne comporte aucun signe de dommage ou d'usure avant de l'utiliser. Si le câble est défectueux, apportez-le dans un centre de services agréé pour le faire remplacer.
- Ne pas utiliser le produit si le câble électrique est endommagé ou usé.
- Débrancher immédiatement du secteur si le câble est coupé ou que l'isolation est endommagée. Ne pas toucher le câble électrique tant que l'alimentation n'a pas été coupée. Ne pas réparer un câble coupé ou endommagé. Porter le produit dans un Centre de service agréé pour faire remplacer le câble.
- Toujours vérifier que le câble/ rallonge se trouve derrière l'utilisateur, en s'assurant qu'il ne présente pas une source de danger pour l'utilisateur ou d'autres personnes, et vérifier qu'il n'existe aucun risque de l'endommager (chaleur, objets pointus, bords pointus, huile, etc.) ;
- Positionner le câble de manière à ce qu'il ne se prenne pas dans les branches durant la coupe.

- Enlever la prise du secteur avant de laisser le produit non utilisé pendant une certaine période.
- Toujours enrouler le câble avec soin, en évitant de l'entortiller.
- Utiliser uniquement la tension nominale d'alimentation secteur CA indiquée sur l'étiquette du produit.
- La tronçonneuse est doublement isolée selon les normes EN60745-1 & EN60745-2-13. En aucun cas, aucune partie du produit ne doit être connectée à la terre.

#### Câbles

- Les câbles d'alimentation et rallonges sont disponibles auprès de votre centre de service agréé local
- Utiliser uniquement des rallonges approuvées
- Les rallonges et contacts ne doivent être utilisés qu'à la condition d'être prévus pour un usage en extérieur.
- Si vous voulez ajouter une rallonge pour utiliser le produit, nous vous conseillons de respecter les dimensions de câble suivantes:
  - 1.0 mm<sup>2</sup> : longueur max. 40 m
  - 1.5 mm<sup>2</sup> : longueur max. 60 m
  - 2.5 mm<sup>2</sup> : longueur max. 100 m

## C. DESCRIPTION DES EQUIPEMENTS DE SECURITE

### BLOCAGE DE L'INTERRUPTEUR

Votre machine est équipée d'un dispositif (Fig. 1a, 2a) qui empêche, lorsqu'il n'est pas actionné, d'appuyer sur l'interrupteur afin d'éviter tout risque de démarrage accidentel.

### FREIN DE CHAÎNE AU DECLENCHEMENT DE L'INTERRUPTEUR

Votre machine est équipée d'un dispositif qui bloque instantanément la chaîne lorsque l'interrupteur est déclenché; s'il ne fonctionne pas, n'utilisez pas la machine et emmenez-la dans un Centre d'Assistance Agréé.

### FREIN DE CHAÎNE / PROTEGE-MAIN AVANT

Le protège-main avant (fig.1b, 2b) permet d'éviter (à condition que vous empoigniez correctement la machine) que votre main gauche entre en contact avec la chaîne. Le protège-main avant a également pour fonction d'actionner le frein de chaîne, qui est un dispositif conçu pour bloquer la chaîne en quelques millisecondes en cas de recul de réaction. Le frein de chaîne est désactivé lorsque le protège-main avant est tiré vers l'arrière et bloqué (fig.3a, 3b). Le frein de chaîne est activé quand la poignée avant est poussée devant et la chaîne à l'arrêt (voir indication MARCHE/ARRÊT) (fig. 4a, 4b). Le frein à chaîne peut être activé par une poussée vers l'avant de la poignée avec la main gauche ou par contact de la poignée avec l'arceau protecteur, en faisant contrepois au sens du rebond.

Lorsque l'appareil est utilisé avec la barre en position horizontale, par exemple lors de la chute d'un arbre, le frein à chaîne offre moins de protection. (fig.5).

N.B.: lorsque le frein de chaîne est activé un interrupteur de sécurité coupe l'alimentation au moteur.

 Pour démarrer l'appareil, relâcher le frein à chaîne tout en maintenant le contacteur.

### PIVOT BLOQUE-CHAÎNE

Cet appareil est équipé d'un capteur de chaîne (fig.6a, 6b) situé sous le pignon. Ce mécanisme est conçu pour stopper le mouvement de retour de chaîne en cas de rupture ou de déraillement de la chaîne.


Ces situations peuvent être évitées en s'assurant d'une tension de chaîne correcte (se reporter au chapitre "D. Montage/Démontage").

### PROTEGE-MAIN ARRIERE

Sert à protéger la main droite (fig.7a, 7b) au cas où la chaîne sauterait ou se casserait.

### INTERRUPTEUR THERMIQUE

Le moteur est protégé par un interrupteur thermique (fig 1c, 2c) qui est activé dès que la chaîne se bloque ou en cas de surcharge du moteur. Lorsque cela se produit, arrêter et débrancher la prise de la source d'alimentation, enlever toute obstruction et attendre quelques minutes, le temps que l'appareil refroidisse. Réenclencher en appuyant à nouveau sur l'interrupteur thermique.

 Pour redémarrer l'appareil, réenclencher l'interrupteur thermique avec le frein à chaîne relâché et en maintenant le contacteur.

## D. MONTAGE / DEMONTAGE

### MONTAGE BARRE ET CHAÎNE

Assurez-vous bien de monter les éléments de manière correcte.

#### Retirer la prise de la source d'alimentation avant tout travail sur le produit.

1a & 1b. Vérifier que le frein de chaîne n'est pas activé. Si c'est le cas, le désactiver.

2a & 2b. Dégager la mollette de tension de chaîne et la tourner dans le sens anti-horaire pour retirer le couvercle du pignon d'entraînement.

#### Porter des gants.

3 Positionner la chaîne sur la barre, en commençant par le pignon avant et la placer dans la rainure de la barre de guidage.

S'assurer que le côté pointu des dents de coupe soit positionné face avant sur la partie supérieure de la barre. (voir marques sur la barre)

4. Tourner le mécanisme prétensionneur de chaîne au maximum dans le sens anti-horaire.

5a & 5b. Monter la barre sur la vis de retenue de la barre et elle se fixera sur l'aimant. Positionner la chaîne sur le pignon d'entraînement.

6a & 6b. Remettre en place le couvercle du pignon d'entraînement en s'assurant que les dents d'entraînement de la chaîne sont bien engagées dans le pignon d'entraînement et la rainure de guidage de la barre.

7a & 7b. Pour tendre la chaîne, tourner la mollette du prétensionneur de chaîne dans le sens horaire jusqu'à ce qu'elle soit fermement maintenue. La chaîne est maintenant correctement tendue pour l'opération.

Le fait de trop tendre la chaîne provoquera surcharge du moteur et endommagement. Une tension insuffisante peut faire dérailler la chaîne, alors qu'une chaîne correctement ajustée permet la meilleure qualité de coupe et prolonge la durée de service. Vérifier régulièrement la tension car la chaîne a tendance à s'étirer en longueur avec l'usage (spécialement quand la chaîne est neuve ; après le premier montage, la tension de chaîne doit être contrôlée quelques minutes après la mise en route) ; ne serrer en aucun cas la chaîne immédiatement après utilisation, mais attendre qu'elle refroidisse.

En cas de chaîne distendue nécessitant un ajustage, toujours donner 2 tours pour dévisser la molette du prétensionneur de chaîne, puis la resserrer fermement après avoir retendue la chaîne pour l'opération.

#### Attention : La chaîne et la barre de guidage peuvent devenir brûlantes

## E. MISE EN MARCHÉ ET ARRÊT

**Démarrage :** Agripper fermement les deux poignées, relâcher le levier du frein à chaîne et tout en maintenant une main sur la poignée avant, garder la pression sur le bouton de contact, puis appuyer sur le contacteur (il est alors possible de relâcher le bouton de contact).

**Arrêt :** L'appareil s'arrête en relâchant l'interrupteur ou en activant le frein de chaîne.

## F. LUBRIFICATION DU GUIDE ET DE LA CHAÎNE

**ATTENTION!** Un graissage insuffisant peut provoquer une rupture de la chaîne et occasionner des blessures graves.

Et vérifiez comme cela est indiqué dans la partie "Maintenance" que l'huile de la chaîne soit distribuée en quantité suffisante.

#### **Choix du type d'huile de la chaîne**

Utiliser de l'huile approuvée par le fabricant.

Nous vous conseillons d'utiliser de l'huile bio pour chaîne, qui est biodégradable.

#### **Appoint d'huile**

Dévissez le bouchon du réservoir d'huile, remplissez le réservoir en évitant de tomber de l'huile sur la machine (si ceci se produit, nettoyez soigneusement la machine) puis serrez fermement le bouchon.

## G. ENTRETIEN ET RANGEMENT

**⚠ Avant d'entreprendre tout entretien ou nettoyage, retirer la prise du secteur.**

**⚠ ATTENTION!** Au cas où le travail se déroulerait dans des ambiances très sales ou poussiéreuses, les opérations décrites devront être réalisées selon une fréquence plus rapprochée que celle indiquée.

### Avant chaque utilisation

Contrôlez que la pompe à huile de la chaîne fonctionne correctement: pointez le guide vers une surface claire située à environ 20 centimètres; après une minute de fonctionnement de la machine, la surface devra présenter des traces d'huile évidentes (**Fig. 1**). Vérifiez que pour actionner ou libérer le frein de chaîne il ne soit pas nécessaire d'exercer une force excessive ou insuffisante et que celui-ci ne soit pas bloqué. Contrôlez ensuite son fonctionnement de la façon suivante: libérez le frein de chaîne, empoignez correctement la machine et actionnez-la, enclenchez le frein de chaîne en poussant le protège-main avant avec le poignet/bras gauche, sans jamais lâcher les poignées (**Fig. 2**). Si le frein de chaîne fonctionne, la chaîne doit se bloquer immédiatement. Contrôlez que la chaîne soit affûtée, en bon état et correctement tendue; si elle est usée de façon irrégulière ou des gouges de 3 mm seulement, remplacez-la (**Fig. 3**).

Nettoyez fréquemment les fentes d'aération afin d'éviter que le moteur ne surchauffe. (**Fig. 4a, 4b**).

Contrôlez le fonctionnement de l'interrupteur et du blocage de l'interrupteur (à effectuer lorsque le frein de chaîne est libéré): actionnez l'interrupteur et le blocage de l'interrupteur et contrôlez qu'ils retournent en position de repos dès lors qu'ils sont relâchés; vérifiez que, sans actionner le blocage de l'interrupteur, il est impossible d'actionner l'interrupteur.

Contrôlez que le pivot bloque-chaîne et le protège-main droite soient intègres et sans défauts apparents, tels que par exemple des lésions du matériau.

### Toutes les 2-3 heures d'utilisation

Contrôlez le guide et, si cela est nécessaire, nettoyez avec soin les orifices de lubrification (**Fig. 5**) et la gorge du guide (**Fig. 6**). Si le guide est usé ou présente des sillons trop profonds, remplacez-le. Nettoyer régulièrement le pignon d'entraînement et vérifiez qu'il n'a pas subi d'usure excessive (**Fig. 7**). Graissez la roue d'extrémité du guide avec de la graisse pour roulements en vous servant de l'orifice prévu à cet effet (**Fig. 8**).

### Affûtage de la chaîne

**En cas de problème concernant l'affûtage de la chaîne, contactez un Centre de service agréé.**

**⚠ La chaîne doit être correctement affûtée. Une chaîne mal affûtée peut provoquer un choc de recul et un risque élevé de blessure.**

Si la chaîne ne coupe pas sans appuyer le guide contre le bois et produit de la sciure très fine, cela signifie qu'elle est mal affûtée. Si la coupe ne produit pas de sciure, la chaîne a complètement perdu le tranchant et en coupant elle pulvérise le bois. Une chaîne bien affûtée pénètre toute seule dans le bois et produit des copeaux gros et longs.

La partie tranchante de la chaîne est constituée par le maillon gouge (**Fig. 9**), muni d'une gouge (**Fig. 10**) et un limiteur de profondeur de la gouge (**Fig. 11**). La différence de niveau entre ceux-ci détermine la profondeur de coupe; pour obtenir un bon affûtage, il faut avoir un porte-lime, une lime ronde de 4 mm de diamètre et suivre les indications suivantes: une fois que la chaîne est montée et tendue correctement, actionnez le frein de chaîne, placez le porte-lime en position perpendiculaire par rapport au guide (**Fig. 12**), puis affûtez la gouge selon l'angle d'affûtage indiqué (**Fig. 13A & 13B**), en procédant toujours de l'intérieur vers l'extérieur et en exerçant une pression moins importante dans le mouvement de retour (il est très important de respecter les indications: des angles d'affûtage excessifs ou insuffisants et un diamètre de la lime inapproprié augmentent le risque de recul de réaction). Pour obtenir des angles latéraux plus précis, il est conseillé de placer la lime de façon à ce qu'elle dépasse verticalement le tranchant supérieur d'environ 0,5 mm. Affûtez tout d'abord toutes les gouges d'un même côté, puis tournez la scie et répétez l'opération de l'autre côté. Assurez-vous qu'après l'affûtage les gouges soient toutes de même longueur et que la hauteur des limiteurs de profondeur se trouve 0,6 mm au-dessous du tranchant supérieur. Contrôlez la hauteur en utilisant la jauge et limez (avec une lime plate) la partie saillante, arrondissez ensuite la partie avant du limiteur de profondeur (**Fig. 14**), en faisant attention à NE PAS limer également la dent de protection anti-recul de réaction (**Fig. 15**).

### Après 30 heures d'utilisation.

Toutes les 30 heures, faire réviser l'appareil par le Centre de service agréé.

### Rangement/Transport

Laisser refroidir l'appareil et remettre le couvercle sur la barre et la chaîne.

Ranger le produit dans un endroit sec et frais, et hors de portée des enfants. Ne pas laisser à l'extérieur. S'assurer qu'il n'y a aucune fuite d'huile.

## H. TECHNIQUES DE COUPE

### Pendant l'utilisation, évitez (**Fig.1**)

- de couper dans des situations où le tronc pourrait se briser durant la coupe (bois en tension, arbres secs, etc.); une rupture soudaine pourrait être très dangereuse;

- que le guide ou la chaîne ne se coince dans la coupe; si ceci se produit, débranchez la machine du secteur et essayez de soulever le tronc en faisant levier avec un instrument approprié; n'essayez pas de libérer la machine en la secouant ou en la tirant car vous pourriez l'endommager ou vous faire mal;

- les situations qui pourraient favoriser la manifestation du recul de réaction.

- d'utiliser le produit au-dessus du niveau d'épaule

- de couper du bois comportant des corps étrangers (ex., des clous).

Ne jamais utiliser l'appareil sur la terre ou des pierres, qui risqueraient d'entraîner une usure immédiate de la chaîne.

### Pendant l'utilisation (**Fig.1**)

- si vous coupez sur un terrain escarpé, travaillez en amont du tronc afin que celui-ci ne puisse pas vous frapper au cas où il roulerait;

- en cas d'abattage d'un arbre, terminez toujours votre travail; en effet, un arbre partiellement coupé pourrait se rompre;

- à la fin de chaque coupe, vous noterez un changement important de la force nécessaire pour tenir la machine; faites bien attention à ne pas en perdre le contrôle.

Le texte suivant se réfère aux deux techniques de coupe suivantes:

- la coupe avec chaîne-tireur (du haut vers le bas) (**Fig. 2**), qui présente le risque d'un déplacement soudain de la machine vers le tronc suivi d'une perte de contrôle; si cela est possible, utilisez le crampon durant la coupe;

- la coupe avec chaîne-pousseur (du bas vers le haut) (**Fig. 3**), qui présente quant à elle le risque d'un déplacement soudain de la machine vers l'opérateur, avec le risque de l'atteindre, ou d'impact du secteur de risque avec le tronc suivi du recul de réaction; soyez très vigilant durant la coupe.

Le mode le plus sûr d'utiliser la machine consiste à bloquer le bois sur un chevalet, en coupant du haut vers le bas et opérant en-dehors du support (**Fig. 4**).

### Utilisation du crampon

Lorsque cela est possible, utilisez le crampon pour une coupe plus sûre: plantez-le dans l'écorce ou dans la partie superficielle du tronc afin de garder plus facilement le contrôle de la machine.

Ci-après il est reporté les procédures typiques à adopter dans différentes situations. Il faudra évaluer cas par cas si elles sont adaptées ou non à votre situation et quelle est la technique de coupe qui présente le risque mineur.

**Tronc au sol** risque de toucher le sol avec la chaîne à la fin de la coupe). (**Fig. 5**)

Coupez du haut vers le bas à travers tout le tronc. Soyez vigilant à la fin de la coupe afin d'éviter que la chaîne entre en contact avec le sol. Si cela est possible, arrêtez-vous aux 2/3 de l'épaisseur du tronc, tournez ensuite le tronc et coupez la partie restante du haut vers le bas afin de limiter au maximum le risque de contact avec le sol.

**Tronc en appui sur un seul côté** (risque de rupture du tronc durant la coupe). (**Fig. 6**)

Commencez la coupe par dessous jusqu'à environ 1/3 du diamètre. Terminez ensuite la coupe par dessus jusqu'à ce vous atteigniez la coupe effectuée de l'autre côté.

**Tronc en appui à chaque extrémité** (risque d'écrasement de la chaîne). (**Fig. 7**)

Commencez la coupe par dessus jusqu'à environ 1/3 du diamètre. Terminez ensuite la coupe par dessous jusqu'à ce vous atteigniez la coupe effectuée de l'autre côté.

**Tronc couché sur une pente.** Toujours rester sur le côté haut du rondin. Pour 'couper à travers' tout en gardant un parfait contrôle, relâcher la pression de coupe près de l'extrémité de la coupe sans desserrer la prise sur les poignées de la tronçonneuse. N pas laisser la chaîne entrer en contact avec le sol.

### Abattage

**ATTENTION!** N'essayez pas de procéder à l'abattage d'un arbre si vous n'avez pas suffisamment d'expérience et, dans tous les cas, n'abattez jamais des troncs ayant un diamètre supérieur à la longueur du guide! Cette opération est réservée aux utilisateurs experts équipés d'équipements appropriés.

Le but de l'abattage est de faire tomber l'arbre dans la meilleure position possible en vue des opérations suivantes d'élagage et de sectionnement du tronc. Évitez qu'un arbre en chute ne se coince dans un autre; faire tomber un arbre coincé est une opération très dangereuse. Vous devez décider quelle est la meilleure direction de chute en évaluant: ce qu'il y a autour de l'arbre, son inclinaison, son incurvation, la direction du vent et la concentration des branches. Ne négligez pas non plus la présence de branches mortes ou brisées qui pourraient se casser durant l'abattage et constituer un danger.

**ATTENTION!** Durant les opérations d'abattage dans des conditions critiques, enlevez vos protections acoustiques tout de suite après la coupe afin de pouvoir percevoir les bruits insolites et les éventuels signaux d'avertissement.

### Opérations préliminaires de la coupe et identification des dégagement de secours

Éliminez les branches qui gênent le travail (**Fig. 8**), en commençant du haut vers le bas et en maintenant le tronc placé entre vous et la machine; éliminez ensuite les branches les plus difficiles, un morceau après l'autre. Éliminez la végétation autour de l'arbre et observez les éventuels obstacles présents (pierres, racines, fossés, etc.) pour planifier votre dégagement de secours (qui servira lors de la chute de l'arbre); reportez-vous à la Fig. 9 pour la direction à suivre (A direction prévue pour la chute de l'arbre. B. Dégagement de secours C. Zone à risque).

### ABATTAGE (Fig. 10)

Pour vous assurer du contrôle de la chute de l'arbre, vous devez effectuer les opérations suivantes:

La coupe directionnelle, à effectuer en premier, sert à contrôler la direction de chute de l'arbre: effectuez tout d'abord la PARTIE SUPÉRIEURE de la coupe directionnelle du côté vers où l'arbre s'abattrait. Placez-vous à droite de l'arbre et exécutez l'entaille avec la chaîne-tireur; exécutez ensuite la PARTIE INFÉRIEURE de l'entaille, qui doit se terminer à la fin de la partie supérieure. La profondeur de la coupe directionnelle doit être égale à 1/4 du diamètre du tronc et l'angle entre l'entaille supérieure et l'entaille inférieure doit être au moins de 45°. Le point de rencontre des deux entailles est appelé "ligne de la coupe directionnelle". Cette ligne doit être parfaitement horizontale et à angle droit (90°) par rapport à la direction de chute.

La coupe d'abattage, qui a pour but de provoquer la chute de l'arbre, doit être exécutée à environ 3-5 cm au-dessus de la partie inférieure du plan de la coupe directionnelle et se terminer à 1/10 du tronc de celle-ci. Placez-vous sur la gauche de l'arbre et exécutez la coupe avec la chaîne-tireur, en utilisant le crampon. Contrôlez que l'arbre ne bouge pas dans une direction autre que celle prévue pour la chute. Dès que cela est possible, introduisez un coin d'abattage dans la coupe. La partie de tronc non coupée est appelée point d'appui et est la "charnière" qui guide l'arbre dans sa chute; s'il est insuffisant, non rectifié ou bien scié complètement, il ne sera plus possible de contrôler la chute de l'arbre (situation très dangereuse!), d'où l'importance d'effectuer les coupes avec précision. À la fin des coupes, l'arbre doit commencer à tomber; si cela devait être nécessaire, aidez-le avec un coin et un levier d'abattage.

### Elagage

Lorsque l'arbre est abattu, il faut procéder à l'élagage, c'est-à-dire à l'élimination des branches du tronc. Ne sous-évaluez pas cette opération car la plupart des accidents de recul de réaction se produisent durant l'élagage; faites donc bien attention à la position de l'avant du guide durant la coupe et travaillez du côté gauche du tronc.

## ECOLOGIE


Ce chapitre vous fournira des informations très utiles pour conserver les caractéristiques d'écocompatibilité conçues lors de la phase de développement de la machine, l'utilisation correcte de la machine et l'élimination des huiles.

### UTILISATION DE LA MACHINE

Les opérations de remplissage du réservoir à huile doivent être effectuées de façon à ne pas provoquer la dispersion dans la nature de l'huile de la chaîne.

### ELIMINATION

Ne jetez pas la machine qui ne fonctionne plus dans la nature, mais remettez-la au contraire aux organismes agréés pour le traitement des déchets, conformément à ce qui est prévu par les normes en vigueur.

Le symbole  sur le produit ou sur son emballage indique que ce produit ne doit pas être traité comme déchet ménager. Il doit obligatoirement être déposé au point de collecte prévu pour le recyclage du matériel électrique et électronique. En vous conformant à une procédure d'enlèvement correcte du produit devenu obsolète, vous aiderez à prévenir tout effet nuisible à l'environnement et à la santé, qu'une manipulation inappropriée de celui-ci pourrait autrement provoquer.

Pour de plus amples informations sur le recyclage de ce produit, veuillez contacter votre mairie ou collectivité locale, la déchetterie de votre localité ou le magasin où vous avez acheté le produit.

**La chaîne et le guide-chaîne sont des fournitures et ne sont pas couverts par la garantie.**

**TABLEAU D'IDENTIFICATION DES PANNES**

	Le moteur ne démarre pas	Le moteur tourne mal ou perd de la puissance	La machine démarre mais ne coupe pas correctement	Le moteur tourne de façon anormale	Les dispositifs de freinage ne bloquent pas correctement la rotation de la chaîne
Vérifiez la présence du courant d'alimentation	●				
Vérifiez si la fiche est correctement branchée	●				
Vérifiez qui ni le cordon d'alimentation ni la rallonge ne soient endommagés	●				
Vérifiez que le frein de chaîne ne soit pas actionné	●				
Vérifier que la chaîne est correctement montée et bien réglée au niveau tension		●	●		
Contrôlez la lubrification de la chaîne comme cela est décrit aux chapitres F et G		●	●		
Contrôlez que la chaîne soit affûtée			●		
Vérifier que le disjoncteur thermique est activé.	●				
Adressez-vous à un Centre d'Assistance Agréé	●	●		●	●

## EU DÉCLARATION DE CONFORMITÉ

Le soussigné Husqvarna AB, S-561 82, Huskvarna, Sweden, confirme la conformité des appareils ci-dessous avec les lignes directrices harmonisées de l'UE, les normes de sécurité de l'UE et les normes applicables spécifiquement à ce type de produits, à la sortie d'usine. Toute modification apportée à ces appareils sans notre autorisation annule ce certificat.

Description de l'appareil..... **Tronçonneuse électrique**  
 Type ..... **CST3519-X, CSI4020-X - CS = Chainsaw**  
 Année du marquage CE..... **2009**

Directives UE :  
**2006/42/EC, 2004/108/EC, 2000/14/EC, 2011/65/EU**

Normes EN harmonisées:  
**EN60745-1, EN60745-2-13, EN50366, EN55014-1, EN61000-3-2, EN61000-3-11**

Organisme notifié qui a délivré une attestation d'examen..... MEEI Kft., 1007  
 Váci út 48/a-b  
 1132 Budapest  
 Hungary

Certificat n° ..... **M3 69240049 (CST 3519-X)**  
**M3 69240050 (CST 4020-X)**

Ulm 18/02/2013  
 Peter Lameli  
 Directeur R&D International - portatif  
 Conserver la documentation technique



Type	CST3519-X	CSI4020-X
Art. no.	8862	8863
Poids à vide(Kg)	5.6	5.5
Puissance (kW)	1.9	2.0
Capacité réservoir à huile (cm³)	180	180
Pas chaîne (pouce)	3/8	3/8
Gabarit de chaîne (mm)	1.3	1.3
Longueur maximum de la barre de guidage (mm)	350	400
Niveau de puissance sonore mesuré $L_{WA}^{(2)}$ (dB(A))	106	106
Niveau de puissance sonore garanti $L_{WA}^{(2)}$ (dB(A))	108	108
Niveau de pression sonore $L_{pA}^{(1)}$ (dB(A))	95	95
Incertitude $K_{pA}$ (dB(A))	2.5	2.5
Valeur $a_{h}^{(1)}$ (m/s <sup>2</sup> )	5.9	5.3
Incertitude $K_{ah}$ (m/s <sup>2</sup> )	1.5	1.5
Valeur $Z_{max}$ de la courbe d'impédance secteur ( $\Omega$ )	0.310	0.314
Vitesse de coupe (m/s)	12	15

1) Niveau de pression acoustique **Niveau**  $L_{pA}$  conforme à la norme EN60745-2-13 du tableau.

Vibrations **Valeur**  $a_h$  conforme à la norme EN60745-2-13 du tableau.

La valeur totale déclarée des vibrations émises a été calculée suivant une méthode de test standard et peut servir à comparer un outil par rapport à un autre.

La valeur totale déclarée des vibrations émises peut également servir lors d'une évaluation préliminaire du taux d'exposition.

**Attention :**

Les vibrations émises durant une utilisation effective de l'outil électrique peuvent varier de la valeur totale déclarée en fonction de la façon dont l'outil est employé.

Les opérateurs doivent identifier les mesures de sécurité concernant leur propre protection, qui sont basées sur une estimation du taux d'exposition dans les conditions réelles d'utilisation (en tenant compte de tous les éléments du cycle opérationnel, tels que le nombre de fois que l'outil est arrêté et lorsqu'il tourne au ralenti, en plus du temps de déclenchement).

2) Valeurs de niveau sonore  $L_{WA}$  conformes à la norme 2000/14/CE du tableau.

Procédure d'évaluation de conformité..... Annex V

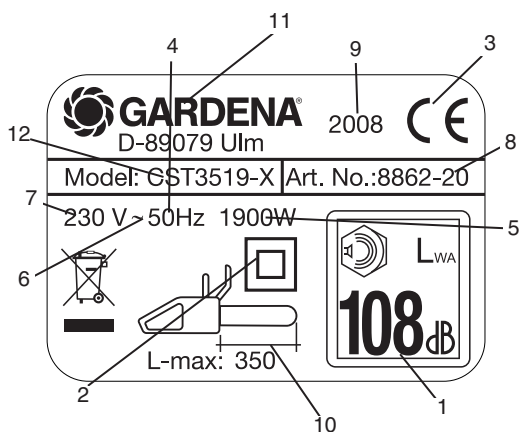
**Déclaration de conformité EN 61000-3-11**

En fonction des caractéristiques du réseau d'alimentation électrique local, l'utilisation de ce produit peut entraîner de courtes baisses de tension au moment de la mise en marche. Cela peut avoir une influence sur d'autres appareils électriques (ex., l'atténuation momentanée d'une lampe). Ces effets ne se produiront pas si la valeur  $Z_{max}$  de la courbe d'impédance secteur de votre alimentation électrique est inférieure à celle indiquée dans le tableau (applicable à votre modèle). La valeur de l'impédance secteur peut être déterminée en contactant votre centre de distribution d'électricité.



## A. DESCRIPCIÓN GENERAL

- |   |   |
|---|---|
| <ol style="list-style-type: none"> <li>1) Cable</li> <li>2) Mango trasero</li> <li>3) Salva-manos trasero</li> <li>4) Indicador del depósito de aceite</li> <li>5) Respiraderos</li> <li>6) Enchufe</li> <li>7) Tapón del depósito de aceite</li> <li>8) Mango delantero</li> <li>9) Salva-manos delantero</li> <li>10) palanca de freno de la cadena</li> <li>11) Para golpes con puntas</li> <li>12) Tirador tensor de la cadena</li> <li>13) Receptáculo de la cadena</li> <li>14) Tapa de la rueda dentada motriz</li> <li>15) Orificio de lubricación</li> <li>16) Ranura de la barra cortante</li> <li>17) Barra (de guía)</li> </ol> | <ol style="list-style-type: none"> <li>18) Mecanismo de tensión de la cadena</li> <li>19) Bloqueo del enchufe</li> <li>20) Tapa de la barra</li> <li>21) Cadena</li> <li>22) Manual</li> <li>23) Diente cortante</li> <li>24) Talón de profundidad del corte</li> <li>25) Diente de guía</li> <li>26) Unión de corte</li> <li>27) Rueda dentada motriz</li> <li>28) Tornillo de retención de la barra</li> <li>29) Dispositivo para aliviar la tensión del cable</li> <li>30) Imán</li> <li>31) Interruptor térmico</li> <li>32) Bidón de aceite</li> </ol> |
|---|---|



Etiqueta ejemplo

- 1) Potencia de ruido garantizada según directiva 2000/14/CE
- 2) Herramienta clase II
- 3) Marca de conformidad CE
- 4) Frecuencia nominal
- 5) Potencia nominal
- 6) Corriente alterna
- 7) Tensión nominal
- 8) Código de producto
- 9) Año de fabricación
- 10) Longitud máxima de la barra
- 11) Nombre y dirección del fabricante
- 12) Modelo

## B. PRECAUCIONES DE SEGURIDAD

### SIGNIFICADO DE LOS SÍMBOLOS

	Atención		Dirección del diente de corte
 	Leer atentamente el manual	 	Usar siempre con las dos manos
	Botas de seguridad	 	Peligro de reacción de contragolpe
	Casco, protectores auditivos y gafas o visor de protección	 	No exponer a la lluvia o a la humedad
	Guantes con protección contra cortes	 	Aceite de la cadena
	Pantalones largos con protección contra cortes		No hacer...
	Freno desactivado, activado		Apagar la máquina
 	Desenchufe de la red inmediatamente si el cable está dañado o cortado.		Desenchufe antes de realizar cualquier ajuste o limpieza.
	Mantenga alejada a cualquier persona		Riesgo de descarga eléctrica

#### Avisos generales de seguridad de la herramienta mecánica

**⚠ AVISO** – Lea todos los avisos de seguridad y todas las instrucciones. El fallo en seguir los avisos e instrucciones podría resultar en descarga eléctrica, fuego y/o heridas graves.

Guarde todos los avisos e instrucciones como referencia futura.

El término "herramienta mecánica" en los avisos se refiere a su herramienta mecánica enchufada a la red (con cordón) o a su herramienta mecánica de funcionamiento a pilas (sin cordón).

#### 1) Seguridad de la zona de trabajo

- Mantenga la zona de trabajo limpia y bien iluminada. Las zonas desordenadas y oscuras invitan a que ocurran accidentes.
- No haga funcionar las herramientas mecánicas en atmósferas explosivas, como en presencia de líquidos inflamables, gases o polvo. Las herramientas mecánicas crean chispas que podrían inflamar el polvo o los humos.
- Mantenga a los niños y a los curiosos alejados mientras opera la herramienta mecánica. Las distracciones podrían hacer que pierda el control.

#### 2) Seguridad eléctrica

- Los enchufes de la herramienta mecánica deben coincidir con la toma de corriente. No modifique nunca el enchufe de ningún modo. No utilice ningún enchufe adaptador con herramientas mecánicas puestas a tierra. Los enchufes sin modificar y las tomas de corriente coincidentes reducirán el riesgo de descarga eléctrica.
- Evite el contacto del cuerpo con las superficies puestas a tierra, tales como tuberías, radiadores, cocinas y refrigeradores. Se corre mayor riesgo de descarga eléctrica si su cuerpo está puesto a tierra.
- No exponga las herramientas mecánicas a la lluvia o a condiciones húmedas. El agua que se introduce en la herramienta mecánica hace que aumente el riesgo de descarga eléctrica.
- No abuse el cordón. No utilice nunca el cordón para llevar, tirar o desenchufar la herramienta mecánica. Mantenga el cordón alejado del calor, aceite, bordes afilados o piezas en movimiento. Los cordones dañados o enredados aumentan el riesgo de descarga eléctrica.

- e) Cuando utilice una herramienta mecánica en el exterior, utilice un cable de prolongación adecuado para usar al aire libre. *El uso de un cable de prolongación para exteriores reduce el riesgo de descarga eléctrica.*
- f) Si el uso de una herramienta mecánica en lugares húmedos es inevitable, utilice una corriente protegida para dispositivos de corriente remanente. *El uso de un dispositivo de corriente remanente reduce el riesgo de descarga eléctrica.*
- 3) Seguridad personal
- a) Manténgase alerta, tenga cuidado con lo que hace y use el sentido común cuando opere una herramienta mecánica. No utilice una herramienta mecánica cuando esté cansado o bajo la influencia de drogas, alcohol o medicinas. *Un momento de distracción mientras opera una herramienta mecánica podría causar lesiones personales graves.*
- b) Utilice equipo de protección personal. Lleve siempre equipo de protección de los ojos. *El equipo de protección utilizado en condiciones apropiadas, como las mascarillas contra el polvo, el calzado antideslizante de seguridad, un casco duro o la protección de los oídos, reducirá las lesiones personales. Lo puede conseguir en una tienda de equipos de trabajo.*
- c) Prevención del arranque no intencional. Confirme que el interruptor está desactivado en la posición "off" antes de conectarlo a la herramienta mecánica y/o paquete de baterías, coger la herramienta o transportarla. *Si se transporta la herramienta mecánica con el dedo en el interruptor o se energizan las herramientas mecánicas cuando tienen el interruptor activado "on", se invita a que ocurran accidentes.*
- d) No trate de alcanzar demasiado lejos con la herramienta. Mantenga los pies sobre una base sólida y el equilibrio en todo momento. *Podrá así controlar mejor la herramienta mecánica en situaciones inesperadas.*
- e) Utilice la ropa adecuada. No lleve ropa suelta o joyas. Mantenga el pelo, la ropa y los guantes alejados de las piezas en movimiento. *La ropa suelta, las joyas o el pelo largo suelto podría engancharse en las piezas en movimiento.*
- 4) Uso y cuidado de la herramienta mecánica
- a) No fuerce la herramienta mecánica. Utilice la herramienta mecánica para su aplicación. *La herramienta mecánica correcta hará el trabajo mejor y con más seguridad, a la tasa para la que ha sido diseñada.*
- b) No utilice la herramienta mecánica si el interruptor no funciona bien para encenderla y apagarla. *Cualquier herramienta mecánica que no se pueda controlar con el interruptor es peligrosa y debe repararse.*
- c) Desconectar el enchufe del generador y de la herramienta mecánica antes de hacer ajustes, cambiar los accesorios o almacenarlas. *Tales medidas de prevención reducirán el riesgo de arranque accidental de la herramienta.*
- d) Almacene las herramientas mecánicas inactivas fuera del alcance de los niños y no permita operarlas a las personas que no estén familiarizadas con la herramienta mecánica o con estas instrucciones. *Las herramientas mecánicas son peligrosas en manos de usuarios no formados.*
- e) Mantenimiento de las herramientas mecánicas. Compruebe la desalineación o el agarrotamiento de las piezas móviles, la rotura de las piezas y otras condiciones que pudieran afectar al funcionamiento de la herramienta mecánica. Si está dañada, repárela antes de usarla. *Muchos accidentes son causados por herramientas mecánicas mal mantenidas.*
- f) Mantenga las herramientas de corte afiladas y limpias. *Las herramientas de corte mantenidas correctamente con los bordes de corte afilados tienen menos probabilidad de agarrotarse y son más fáciles de controlar.*
- g) Utilice la herramienta mecánica, los accesorios y las brocas de la herramienta, etc., de acuerdo con estas instrucciones, teniendo en cuenta las condiciones de trabajo y la tarea que va a realizar. *El uso de la herramienta mecánica para operaciones diferentes a las previstas, podría resultar en una situación peligrosa.*
5. Servicio
- a) Haga que una persona cualificada en reparaciones haga el servicio de la máquina, utilizando solamente piezas de sustitución idénticas. *Esto garantizará que se mantiene la seguridad de la herramienta mecánica.*

#### Advertencias de seguridad de la motosierra:

- Mantenga todas las partes del cuerpo alejadas de la cadena de la motosierra cuando ésta esté en funcionamiento. Antes de accionar la motosierra, asegúrese de que la cadena no está en contacto con nada. *Un instante de inatención mientras utiliza la motosierra puede provocar el enganche de la ropa o una parte del cuerpo por la cadena de la sierra.*
- Sujete siempre la sierra con la mano derecha en el mango trasero y la mano izquierda en el mango delantero. *Sujetar la sierra con una configuración invertida de manos aumenta el riesgo de lesiones personales y no debe hacerse nunca.*
- Sujete la máquina herramienta únicamente por las superficies de agarre que están aisladas, ya que la cadena de la sierra podría entrar en contacto con cables ocultos con su propio cordón. *Las cadenas de la sierra que entren en contacto con un hilo conductor podrían cargar de tensión las partes metálicas expuestas de la máquina herramienta y podrían dar una descarga eléctrica al operario que la maneje.*
- Póngase gafas de seguridad y protecciones para los oídos. También se recomienda el uso de equipos de protección para la cabeza, las manos, las piernas y los pies. *La vestimenta adecuada de protección reducirá las lesiones personales causadas por astillas despedidas o contacto accidental con la cadena de la sierra. Lo puede conseguir en una tienda de equipos de trabajo.*
- No utilice una motosierra en un árbol. *Utilizar una motosierra estando en un árbol puede causar lesiones personales.*
- Mantenga en todo momento la estabilidad de los pies y utilice la motosierra únicamente estando en una superficie estable, segura y llana. *Las superficies resbaladizas o inestables, como las escaleras plegables pueden hacer perder el equilibrio y el control de la sierra.*
- Cuando corte una rama que esté en tensión, no olvide el efecto resorte que se produce al cortarla. *Al eliminar la tensión de las fibras de madera, la rama hasta entonces retenida puede golpear al operario y/o hacer perder el control de la sierra.*
- Tenga extremado cuidado al cortar maleza y árboles jóvenes. *Los materiales finos pueden engancharse a la cadena de la sierra y salir despedidos contra usted o hacer que pierda el equilibrio.*
- Transporte la sierra por el mango delantero, desenchufada y alejada de su cuerpo. Cuando transporte o almacene la motosierra, ponga siempre la tapa de la barra. *El manejo apropiado de la sierra reducirá el riesgo de contacto accidental con la cadena de la sierra en movimiento.*

- **Siga las instrucciones para lubricar, tensar la cadena y cambiar los accesorios.** *Una cadena mal tensada o mal lubricada puede romperse o aumentar el riesgo de rebote.*
- **Mantenga los mangos secos, limpios y sin aceite ni grasa.** *Los mangos grasientos o aceitosos provocan deslizamientos y pérdida de control.*
- **Corte únicamente madera. No utilice la motosierra para propósitos distintos a los especificados. Por ejemplo: no utilice la motosierra para cortar plástico, obras de albañilería o materiales de construcción distintos a la madera.** *El uso de la motosierra para operaciones diferentes a las previstas podría resultar en una situación peligrosa.*

#### **Causas del rebote y su prevención por parte del operario:**

El rebote puede suceder cuando la parte delantera o punta de la barra de guía toca un objeto (**Fig B3**), o cuando la madera cerca y pinza la cadena de la motosierra durante el corte.

El contacto de la punta puede, en ocasiones, causar una repentina reacción de inversión, golpeando la barra de guía hacia arriba y hacia el operario.

Pinzar la cadena en la parte superior de la barra de guía puede impulsar rápidamente la barra hacia atrás, en dirección del operario.

Cualquiera de estas reacciones puede hacer que pierda el control de la sierra, y provocar lesiones personales graves. No se fie exclusivamente de los dispositivos de seguridad integrados en la sierra. En calidad de usuario de una motosierra, debería seguir ciertas pautas para prevenir los accidentes en sus distintas utilizaciones.

Los rebotes son consecuencia de un uso inapropiado de la herramienta y/o procedimientos o condiciones de funcionamiento incorrectos, y se pueden evitar tomando las debidas precauciones, es decir:

- **Mantenga una sujeción firme, rodeando los mangos de la sierra con los pulgares y los dedos, con ambas manos en la sierra y posicionando el cuerpo y el brazo de forma que pueda resistir las fuerzas de rebote.** *El operario puede controlar las fuerzas de rebote si toma las debidas precauciones. No suelte la motosierra.*
- **No intente llegar demasiado lejos y no sobrepase la altura del hombro.** *Así evitará el contacto inesperado de la punta y permitirá un mejor control de la motosierra en situaciones imprevistas.*
- **Utilice únicamente las barras y cadenas de recambio especificadas por el fabricante.** *Las barras y cadenas de recambio no adecuadas pueden provocar la rotura de la cadena y/o rebotes.*
- **Siga las instrucciones de afilado y mantenimiento del fabricante.** *Disminuir la altura del talón de profundidad puede producir más reacciones de rebote.*

#### **Recomendaciones adicionales de seguridad**

1. **Uso del manual.** Todas las personas que utilicen la máquina deben leer el manual de instrucciones completamente y con mucha atención. El manual de instrucciones debe acompañar a la máquina en caso de venta o préstamo a otra persona.
2. **Precauciones previas a la utilización de la máquina.** No permita nunca que una persona que no esté familiarizada con el manual de instrucciones utilice esta herramienta. Las personas sin experiencia deben pasar por un periodo de formación utilizando únicamente un banco de serrar.
3. **Comprobaciones de control.** Compruebe con cuidado la máquina antes de cada uso, especialmente si ha sufrido un impacto fuerte o si muestra cualquier signo de mal funcionamiento. Realice todas las operaciones descritas en el capítulo "Mantenimiento y almacenamiento – Antes

de cada uso”.

4. **Reparaciones y mantenimiento.** Todas las piezas de la máquina que puede cambiar personalmente están explicadas con claridad en el capítulo de instrucciones "Montaje / desmontaje". Siempre que fuese necesario, el resto de las piezas de la máquina deben de ser cambiadas exclusivamente por un Centro autorizado.
5. **Vestimenta. (fig B1)** Cuando utilice esta máquina, el usuario debe llevar las siguientes prendas aprobadas de protección individual: prendas ajustadas de protección, botas de seguridad con suelas antideslizantes, protectores contra impactos en los dedos y protección a prueba de cortes, guantes a prueba de cortes y vibraciones, máscara de protección o un visor de seguridad, tapones de protección en los oídos y casco (si hay riesgo de caída de objetos). Puede conseguir todas estas prendas en una tienda de equipos de trabajo.
6. **Precauciones sanitarias – Niveles de vibración y sonido.** Aténgase a las restricciones sonoras de su zona. El uso prolongado de la máquina expone al usuario a vibraciones que pueden generar el "fenómeno de los dedos blancos" (o "fenómeno de Raynaud"), el síndrome del túnel carpiano y trastornos similares.
7. **Precauciones sanitarias – Agentes químicos.** Utilice aceite aprobado por el fabricante.
8. **Precauciones sanitarias - Calor.** Durante la utilización, la rueda dentada y la cadena alcanzan temperaturas muy elevadas, tenga cuidado de no tocar dichas partes mientras estén calientes.

#### **Precauciones de transporte y almacenamiento. (fig B2)**

Cada vez que cambie de zona de trabajo, desconecte la máquina de la toma de corriente y active la palanca de freno de la cadena. Coloque la tapa de la barra siempre antes de transportar o guardar la herramienta.

Transporte siempre la máquina a mano, con la barra hacia atrás; cuando la transporte en un vehículo, sujétela bien para evitar cualquier daño.

**Reacción de rebote. (fig B3)** La reacción de rebote consiste en un violento movimiento hacia arriba y hacia atrás de la barra en dirección al usuario. Se da, generalmente, cuando la parte superior de la punta de la barra (denominada la "zona de riesgo de rebote") (véase la marca roja de la barra de guía) entra en contacto con algún objeto, o si la cadena se bloquea con un trozo de madera. El rebote puede hacer que el usuario pierda el control de la máquina, provocando accidentes peligrosos e incluso mortales. La palanca de freno de la cadena y otros dispositivos de seguridad de la cadena no bastan para proteger al usuario de posibles lesiones: el usuario también tiene que ser consciente de las condiciones que pueden provocar la reacción, y evitarlas prestando mucha atención de acuerdo con su experiencia, y manejando la máquina de forma prudente y correcta (por ejemplo: no corte nunca varias ramas a la vez, ya que esto puede causar un impacto accidental en la "zona de peligro de rebote").

#### **Seguridad en el área de trabajo**

1. No permita nunca que niños o personas no habituadas a utilizarlo se sirvan de este producto aún leyendo las instrucciones. Las regulaciones locales podrían restringir la edad del operario.
2. Utilice únicamente el producto de la forma y para los usos descritos en estas instrucciones.
3. Compruebe toda la zona de trabajo atentamente para detectar cualquier fuente de peligro (p.ej.: carreteras, caminos, cables eléctricos, árboles peligrosos, etc.)
4. Aleje a cualquier persona o animal de la zona de trabajo (si fuese necesario, acordone la zona y utilice señales de aviso), a una distancia mínima de 2,5 x la altura del tronco; en ningún caso a menos de diez metros.

5. El operario o usuario es responsable de los accidentes y riesgos acaecidos a otras personas en su propiedad.

### Seguridad eléctrica

1. Se recomienda utilizar un dispositivo diferencial residual (D.D.R.) con una corriente de desconexión de no más de 30mA. Incluso con la instalación de un D.D.R. la seguridad 100% no existe, y en todo momento se tiene que trabajar siguiendo las instrucciones de seguridad. Compruebe su D.D.R. cada vez que lo use.
2. Antes de utilizarlo, compruebe que el cable no presenta ninguna señal de deterioro o envejecimiento. Si el cable tiene algún defecto, lleve el producto a un Centro autorizado de reparaciones para cambiarlo.
3. No utilice el producto si los cables eléctricos están deteriorados o gastados.
4. Desconecte inmediatamente de la red eléctrica principal si el cable está cortado o la instalación está deteriorada. No toque el cable eléctrico hasta que no se haya desconectado del suministro eléctrico. No repare un cable cortado ni deteriorado. Lleve el producto a un Centro de reparaciones autorizado para arreglar el cable.
5. Asegúrese siempre de que el cable/ alargadera se mantenga detrás del usuario, y que no constituya una fuente de peligro ni para él ni para otras personas; asegúrese también de que el cable no pueda verse dañado (por una fuente de calor, objetos afilados, bordes afilados, aceite, etc);
6. Posicione el cable de manera que no pueda enredarse en las ramas ni similares durante el proceso de cortado.
7. Desconecte siempre de la red principal antes de desconectar cualquier enchufe, cable conector o alargadera.

8. Desconecte, desenchufe de la red principal y compruebe si el cable de suministro eléctrico está deteriorado o gastado antes de enrollar el cable para guardarlo. No repare un cable deteriorado. Lleve el producto a un Centro de reparaciones autorizado para arreglar el cable.
9. Desenchufe de la red principal antes de dejar el producto sin vigilancia durante cualquier intervalo de tiempo.
10. Enrolle siempre el cable cuidadosamente, evitando las vueltas.
11. Utilícelo únicamente con una red del voltaje mostrado en la etiqueta del producto.
12. La motosierra está doblemente aislada según EN60745-1 y EN60745-2-13. Bajo ninguna circunstancia debe hacerse la conexión a tierra a alguna parte de este

### Cables

1. Puede adquirir los cables y alargaderas apropiados en su Centro autorizado local.
2. Utilice únicamente alargaderas aprobadas.
3. Las alargaderas y otros cables sólo deberían utilizarse si son aptos para uso exterior.
4. Si desea conectar el producto con un cable alargador, deberá respetar las siguientes dimensiones del cable:
  - 1,0 mm<sup>2</sup> : largo máx 40 m
  - 1,5 mm<sup>2</sup> : largo máx 60 m
  - 2,5 mm<sup>2</sup> : largo máx 100 m

## C. DESCRIPCIÓN DE LOS DISPOSITIVOS DE SEGURIDAD

### SEGURO DEL INTERRUPTOR

La máquina lleva instalado un dispositivo (fig.1a, 2a) que, si no se acciona, impide que pueda pulsarse el interruptor, para así prevenir su accionamiento accidental.

### FRENO DE CADENA AL SOLTAR EL INTERRUPTOR

La máquina está dotada de un dispositivo que bloquea instantáneamente la cadena tan pronto como se suelta el interruptor; en caso de que el dispositivo no funcione, no utilice la máquina: llévela a un Centro de asistencia autorizado.

### FRENO DE CADENA / PROTECCIÓN ANTERIOR DE LA MANO

La protección anterior de la mano (fig.1b, 2b) sirve para evitar que la mano izquierda del usuario entre en contacto con la cadena (siempre y cuando haya empuñado la máquina correctamente). La protección anterior de la mano tiene además la función de accionar el freno de cadena, dispositivo estudiado para bloquear la cadena, en caso de reacción de contragolpe, en milésimas de segundo. El freno de cadena está desactivado cuando la protección anterior de la mano está hacia atrás y bloqueada (fig.3a, 3b). El freno de la cadena se activa al empujar hacia delante el salva-manos delantero, y la cadena se detiene (fig.4a, 4b). El freno de la cadena se puede activar utilizando la muñeca izquierda para empujarlo hacia delante o cuando la muñeca entra en contacto con la guarda de mano delantera como resultado de una tensión de retroceso. Cuando se utiliza la máquina con la barra en posición horizontal, por ejemplo para talar árboles, el freno de la cadena ofrece menos protección (fig.5).

NOTA: Cuando el freno de cadena está puesto, un interruptor de seguridad corta la corriente del motor.

**⚠ Para arrancar la máquina, suelte el freno de la cadena mientras pulsa el interruptor.**

### PERNO DE RETÉN DE LA CADENA

Esta máquina está equipada con un retén de cadena (fig 6a, 6b) situado bajo la rueda dentada. Este mecanismo está diseñado para impedir el movimiento de retroceso de la cadena en caso de que se rompa o se salga de su sitio. Estas situaciones se pueden evitar asegurando que la cadena tiene la tensión correcta (Consulte el capítulo "D. Montaje/desmontaje").

### PROTECCIÓN POSTERIOR DE LA MANO DERECHA

Sirve para proteger (fig.7a, 7b) la mano en caso de salto o rotura de la cadena.

### Interruptor térmico

El motor está protegido por un interruptor térmico (fig 1c, 2c) que se activa cuando la cadena se atasca o el motor se sobrecalienta. Cuando ocurra esto, pare la máquina y desconecte el enchufe de la red, limpie la obstrucción y espere unos minutos hasta que la máquina se enfríe. Reposicione pulsando el interruptor térmico.

**⚠ Para arrancar la máquina, reposicione el interruptor térmico con el freno de la cadena suelto y presione el interruptor.**

## D. MONTAJE / DESMONTAJE

### MONTAJE DE LA BARRA Y LA CADENA

Tenga mucho cuidado al realizar el montaje para asegurarse de que éste queda efectuado correctamente.

#### **Desenchufe de la red principal antes de realizar cualquier operación en el producto.**

1. Compruebe que el freno de la cadena no esté activado. Si lo está, desactívelo.

2a y 2b. Desenrosque el tirador tensor de la cadena y gírelo en sentido contrario a las agujas del reloj para quitar la tapa de la rueda dentada motriz.

#### **Póngase guantes.**

3 Coloque la cadena sobre la barra, empezando por la punta dentada, y ajustándola a la ranura de la barra. Asegúrese de que el lado afilado de los dientes queda hacia delante en la parte superior de la barra (véanse las marcas de la barra)

4. Gire el mecanismo tensor de la cadena en sentido contrario a las agujas del reloj hasta el máximo.

5a y 5b. Monte la barra en el tornillo de retención de la barra, y ésta se fijará al imán. Coloque la cadena en la rueda dentada motriz.

6a y 6b. Vuelva a colocar la tapa de la rueda dentada motriz, asegurándose de que los dientes de guía de la cadena están fijados a la rueda dentada motriz y a la ranura de la barra.

7a y b. Para tensar la cadena, gire el tirador tensor de la cadena en sentido de las agujas del reloj hasta que quede bien apretado. La cadena ya está bien tensada para ser utilizada.

Tensar la cadena demasiado sobrecargaría el motor y causaría daños. Una tensión insuficiente puede provocar que se salga la cadena, mientras que una cadena correctamente tensada proporciona las mejores características y prolonga la vida del aparato. Compruebe la tensión periódicamente, ya que la longitud de la cadena tiende a aumentar con el uso (especialmente si la cadena es nueva, después del primer montaje, deberá comprobar la tensión de la cadena después de haber trabajado con el aparato unos minutos); pero no tense nunca la cadena inmediatamente después de utilizar el aparato, espere siempre a que se enfríe. Si la cadena está demasiado suelta y necesita ser tensada, desenrosque siempre el tirador tensor de la cadena 2 vueltas y vuelva a apretar de nuevo, dejando la cadena correctamente tensada para su uso.

#### **Aviso:- La cadena y la barra pueden llegar a calentarse mucho**

## E. PUESTA EN MARCHA Y PARADA

**Arranque:** Sujete ambos mangos con firmeza, suelte la palanca del freno de la cadena asegurándose de que la mano está todavía sujetando el mango delantero, pulse y mantenga pulsado el bloque de conmutación y a continuación pulse el interruptor (en ese momento, puede soltar el bloque de conmutación).

**Parada:** La máquina se detendrá siempre que sea desenchufada o activando el freno de cadena.

## F. LUBRICACIÓN DE LA BARRA Y DE LA CADENA

**¡ATENCIÓN!** Una lubricación insuficiente provocará la rotura de la cadena y puede ocasionar daños graves.

Controle como se indica en "Mantenimiento" que la cadena reciba aceite en cantidad suficiente.

#### **Elección del aceite la cadena**

Utilice aceite aprobado por el fabricante.

Le recomendamos que, para la cadena, utilice aceite bio, un tipo de aceite que es biodegradable.

#### **Rellenado del aceite**

Desenrosque la tapa del depósito de aceite, rellene el depósito evitando derramamientos de aceite (si se derramase aceite, limpie bien la máquina) y apriete bien la tapa.



## G. MATENIMIENTO Y ALMACENAMIENTO

**⚠ Antes de realizar cualquier acción de mantenimiento o limpieza, desenchufe el aparato de la corriente.**

**⚠ ¡ATENCIÓN!** Si se trabaja en sitios particularmente sucios o polvorientos, las operaciones mencionadas deben hacerse con más frecuencia.

### Antes de usar la máquina

Controle que la bomba de aceite de la cadena funcione correctamente: oriente la barra hacia una superficie clara, a unos veinte centímetros de distancia; tras un minuto de funcionamiento de la máquina, la superficie deberá presentar rastros evidentes de aceite (**fig.1**). Controle que para poner o soltar el freno de cadena no haya que hacer una fuerza excesiva o insuficiente, y que no esté bloqueado. Seguidamente controle su funcionamiento como se indica a continuación: suelte el freno de cadena, sujete correctamente las empuñaduras de la máquina y enciéndala. Ponga el freno de cadena empujando la protección anterior de la mano con el pulso/brazo izquierdo, sin soltar en ningún momento las empuñaduras (**fig.2**). Si el freno de cadena funciona, la cadena debe quedar bloqueada inmediatamente. Controle que la cadena esté afilada (ver abajo), en buen estado y correctamente tensada. Si presentase desgaste irregular o el diente de corte no superase los 3 mm, sustitúyala (**fig.3**).

Limpie frecuentemente las ranuras de ventilación, para evitar que el motor se recaliente. (**fig 4a, 4b**).

Controle el funcionamiento del interruptor y del seguro del interruptor (a efectuar con freno de cadena suelto): accione el interruptor y el seguro del interruptor y controle que vuelvan a la posición de reposo nada más soltarlos; compruebe que no se pueda accionar el interruptor sin antes accionar el seguro del interruptor.

Controle que el perno de retén de la cadena y la protección de la mano derecha estén enteros y sin defectos evidentes, como desperfectos del material.

### Cada 2-3 horas de trabajo

Controle la barra, y si es necesario limpie cuidadosamente los orificios de lubricación (**fig.5**) y la ranura de guía (**fig.6**). Si esta última estuviera desgastada o los surcos fueran excesivos, sustitúyala. Limpie periódicamente la rueda dentada motriz y compruebe que no está demasiado gastada. (**fig.7**). Engrase la rueda de punta de la barra con grasa para cojinetes a través del orificio indicado (**fig.8**).

### Afilado de la cadena

**Póngase en contacto con un Centro Autorizado de Servicio si constata cualquier problema de afilado en la cadena.**

**La cadena tiene que estar afilada correctamente.**

**⚠ Una cadena mal afilada puede causar rebotes y un alto riesgo de lesiones.**

Si es necesario mantener presionada la barra contra la madera para que la cadena corte, y si el serrín que produce es muy fino, es signo de que no está bien afilada. Si el corte no produce serrín, la cadena ha perdido completamente el filo y al cortar pulveriza la madera. Una cadena bien afilada avanzará por sí sola en la madera, produciendo viruta gruesa y larga.

La parte cortante de la cadena está formada por la malla de corte (**fig.9**), con un diente de corte (**fig.10**) y un delimitador de corte (**fig.11**). El desnivel entre estos elementos determina la profundidad de corte; para obtener un buen afilado, son necesarios un guía-lima y una lima redonda de 4 mm de diámetro. Proceda como se indica a continuación: con la cadena montada y correctamente tensada, ponga el freno de cadena, coloque el guía-lima como se indica en la figura, perpendicular a la barra (**fig.12**), y lime el diente de corte con la angulaciones indicadas en la figura (**fig.13A y 13B**), afilando siempre desde dentro hacia afuera y aflojando la presión en la fase de vuelta (es muy importante respetar las indicaciones: unos ángulos de afilado excesivos o insuficientes, o un diámetro de lima erróneo aumentan la tendencia a la reacción de contragolpe). Para obtener mayor exactitud en los ángulos laterales, se aconseja situar la lima de modo que sobresalga por encima del filo de corte superior unos 0,5 mm. Afile primero todos los dientes de un lado. Gire después la máquina y repita la operación. Asegúrese de que, tras el afilado, todos los dientes tengan la misma longitud y que la altura de los delimitadores de profundidad sea de 0,6 mm por debajo del filo de corte superior: controle la altura usando el modelo y lime (con una lima plana) la parte que sobresale. Redondee después la parte anterior del delimitador de profundidad (**fig.14**), con cuidado de NO limar también el diente de protección antictragolpe (**fig.15**).

### Cada 30 horas de uso.

Lleve el aparato a un Centro autorizado.

### Almacenamiento/transporte

Deje que la máquina se enfríe y ponga la tapa en la barra y la cadena.

Almacene el producto en un lugar seco, frío y fuera del alcance de los niños. No lo almacene en el exterior.

Asegúrese de que no hay fugas de aceite.

## H. TÉCNICAS DE CORTE

### Mientras usa la máquina, evite: (**fig.1**)

-Cortar troncos que pudieran romperse durante el corte (leña sometida a tensión, árboles secos, etc): una rotura repentina podría ser muy peligrosa.

-Que la barra o la cadena se atasquen en el corte si así ocurriese, desconecte la máquina de la red y trate de levantar el tronco haciendo palanca con un instrumento adecuado; no trate de liberar la máquina con sacudidas o tirones, porque corre el riesgo de estropearla y de hacerse daño.

-Situaciones que podrían favorecer la reacción de contragolpe.

-Utilizar la máquina a una altura superior a los hombros

-Cortar madera con objetos extraños en ella, p.ej., clavos. No utilice nunca esta máquina en tierra ni piedras, ya que la cadena se desgastaría inmediatamente.

### Mientras usa la máquina: (**fig.1**)

- Si está cortando en un terreno en pendiente, trabaje desde la parte alta, de modo que el tronco no pueda golpearle en caso de salir rodando.

- En caso de tala de árboles, nunca deje el trabajo a medio hacer: un árbol talado parcialmente podría romperse.

- Al final de cada corte, se notará una notable diferencia en



la fuerza necesaria para sostener la máquina. Preste mucha atención para no perder el control.

En el texto que sigue nos referiremos a estos dos tipos de corte:

El corte con la cadena en retroceso (de arriba a abajo) (**fig.2**), que presenta el riesgo de un repentino desplazamiento de la máquina hacia el tronco, con la consiguiente pérdida de control. Si es posible, utilice la espada durante el corte.

El corte con la cadena empujando (de abajo a arriba) (**fig.3**) presenta en cambio el riesgo de un repentino desplazamiento de la máquina hacia el operador, con el riesgo de golpearlo. El sector de riesgo puede impactar contra el tronco y causar la consiguiente reacción de contragolpe; preste mucha atención durante el corte.

El modo más seguro de utilizar la máquina es con la leña asegurada sobre el caballete, cortando de arriba hacia abajo y trabajando por la parte de fuera del soporte. (**fig.4**)

#### Uso de la espada:

Siempre que sea posible, utilice la espada para un corte más seguro: clavéla en la corteza o en la superficie del tronco, de modo que sea más fácil conservar el control de la máquina.

A continuación se explican los procedimientos típicos a seguir en determinadas situaciones. Será necesario valorar en cada ocasión el procedimiento más adecuado para efectuar el corte con el menor riesgo posible.

**Tronco en el suelo** Riesgo de tocar el suelo con la cadena al final del corte). (**fig.5**)

Cortar desde arriba hacia abajo pasando por todo el tronco. Al final del corte proceda con cautela para evitar que la cadena entre en contacto con el terreno. Si es posible, deténgase cuando haya cortado 2/3 del grosor del tronco. Déle entonces la vuelta y corte la parte restante desde arriba hacia abajo, para limitar el riesgo de contacto con el terreno.

**Tronco apoyado por una sola parte** (Riesgo de rotura del tronco durante el corte) (**fig.6**)

Comience a cortar por debajo hasta 1/3 del diámetro, termine completando el corte desde arriba.

**Tronco apoyado por los dos extremos** (Riesgo de aplastamiento de la cadena). (**fig.7**)

Comience a cortar por encima hasta 1/3 del diámetro, termine completando el corte desde abajo.

**Corte de troncos en una pendiente.** Colóquese siempre en la parte superior de la pendiente respecto al tronco. Mientras realice el corte, para mantener un control total, disminuya la presión de corte cuando se acerque al final, sin aflojar la sujeción de los mangos de la motosierra. No deje que la cadena entre en contacto con el suelo.

#### Tala

**¡ATENCIÓN!** : No intente talar árboles si no tiene la experiencia necesaria. En todo caso, nunca pruebe a cortar troncos con un diámetro superior a la longitud de la barra. Esta operación debe ser realizada exclusivamente por usuarios expertos adecuadamente equipados.

La finalidad de la tala es hacer caer el árbol en la mejor posición para pasar seguidamente a limpiarlo de ramas y a seccionar el tronco. Evite que en su trayecto de caída el árbol se enrede en otro; hacer caer un árbol que se ha enredado en otro es una operación muy peligrosa.

Hay que decidir la mejor dirección de caída valorando: el entorno del árbol, su inclinación, su curvatura, la dirección del viento y la concentración de ramas.

Otro factor a tener muy en cuenta es la presencia de ramas muertas o rotas que podrían desgajarse durante la tala y representar un peligro.

**¡ATENCIÓN!** En operaciones de tala en condiciones críticas, quítase las protecciones acústicas inmediatamente después del corte, a fin de poder percibir ruidos inusuales o posibles señales de advertencia.

#### Operaciones preliminares y localización de la vía de escape.

Elimine las ramas que dificulten el trabajo (**fig.8**), comenzando desde arriba hacia abajo y manteniendo el tronco entre su cuerpo y la máquina elimine las ramas más difíciles, pieza por pieza. Elimine la vegetación en torno al árbol y observe los obstáculos que pueda haber (piedras, raíces, socavones, etc.) teniéndolos en cuenta al definir la vía de fuga (a seguir durante la caída del árbol); tome como referencia la figura (**fig.9**) para saber qué dirección tomar (A.dirección prevista de caída del árbol. B.Vía de Fuga C. Zona de riesgo)

#### TALA (fig.10)

Para tener controlada la caída del árbol, hay que efectuar los siguientes cortes:

En primer lugar se efectúa el corte direccional, que sirve para controlar la dirección de caída del árbol: Ejecute primero la PARTE SUPERIOR del corte sobre el lado hacia el que se derribará el árbol. Sitúese a la derecha del árbol y corte con la cadena en retroceso; ejecute entonces la PARTE INFERIOR del corte, que terminará allí donde termina la parte superior. La profundidad del corte direccional debe ser aproximadamente de 1/4 del diámetro del tronco, y el ángulo entre el corte superior y el inferior debe ser al menos de 45°. La línea de encuentro entre los dos cortes se denomina "línea del corte direccional". La línea debe ser perfectamente horizontal y debe formar ángulo recto (90°) con respecto a la dirección de caída.

El corte que acabará provocando la caída del árbol se efectuará de 3 a 5 cm por encima de la parte inferior del plano de la línea de corte direccional, y terminará a una distancia de dicha línea equivalente a 1/10 del diámetro del tronco. Manténgase a la izquierda del árbol y corte con la cadena en retroceso, utilizando la espada. Controle que el árbol no se mueva en otra dirección que no sea la prevista para la caída. Tan pronto como sea posible, introduzca una cuña de derribo en el corte. La parte de tronco no cortada se denomina eje, y es la "bisagra" que guía al árbol en su caída; si el eje fuese insuficiente, no fuera rectilíneo, o se cortase del todo, se perdería el control sobre la caída del árbol (¡muy peligroso!), razón por la cual es necesario que los cortes se ejecuten con precisión.

Terminados los cortes, el árbol comenzará a caer. Si fuera necesario, facilite la caída con una cuña o una palanca de derribo.

#### Desrame

Una vez derribado el árbol, se procede al desrame, la eliminación de las ramas del tronco. No se debe subestimar la dificultad de esta operación, porque la mayor parte de los accidentes por reacción de contragolpe tienen lugar precisamente durante el desrame. Preste, por consiguiente, mucha atención a la posición de la punta de la barra durante el corte y trabaje desde la parte izquierda del tronco.

## ECOLOGÍA


Este capítulo le proporcionará información útil para mantener las características de eco-compatibilidad previstas para la máquina en la fase proyectual, su uso correcto y la eliminación de los aceites.

### USO DE LA MÁQUINA

Las operaciones de llenado del depósito de aceite deben hacerse de modo que no comporten la dispersión en el medio ambiente del aceite de la cadena.

### DESGUACE

No abandonar en el entorno la máquina que haya dejado de funcionar; entregarla a los organismos autorizados para la eliminación de basuras conforme a la normativa vigente.

El símbolo  en el producto o en su envase indica que no se puede tratar este producto como desperdicio doméstico. Deberá por lo tanto depositarse en el punto de recogida aplicable para el reciclado de equipos eléctricos y electrónicos. Asegúrese de eliminar este producto correctamente, ayudará así a evitar consecuencias potenciales negativas para el medio ambiente y la salud humana, que podrían de lo contrario ocurrir con el manejo inapropiado de los residuos de este producto.

Para obtener información más detallada sobre el reciclado de este producto, contacte con la oficina municipal local, con el servicio de eliminación de desperdicios domésticos o con la tienda donde compró el producto.

**La cadena y la guía de la cadena son piezas recambiables y no entran en la garantía.**

**TABLA DE DETECCIÓN DE AVERÍAS**

	El motor no arranca	El motor no funciona bien o pierde potencia	La máquina se enciende pero no corta bien	El motor funciona de anómala	Los dispositivos de freno no bloquean correctamente la rotación de la cadena
Asegúrese de que hay corriente en la red.	●				
Compruebe que la clavija esté bien enchufada	●				
Compruebe que ni el cable ni la alargadera presenten desperfectos	●				
Compruebe que no esté puesto el freno de cadena	●				
Compruebe que la cadena está correctamente instalada y tensada		●	●		
Controle la lubricación de la cadena como se explica en los capítulos F y G		●	●		
Controle que la cadena esté afilada			●		
Compruebe que está activado el interruptor de desconexión térmica.	●				
Dirijase a un Centro de asistencia autorizado	●	●		●	●

## DECLARACIÓN DE CONFORMIDAD UE

El abajo firmante Husqvarna AB, S-561 82, Huskvarna, Sweden, certifica aquí, que al salir de nuestra fábrica, las unidades indicadas a continuación tienen conformidad con las directrices armonizadas de la UE, con las normativas de seguridad de la UE y con las normativas específicas del producto. Esta declaración quedará anulada si se realizan modificaciones en la unidad sin nuestro previo consentimiento.

Descripción de la unidad..... **Motosierra eléctrica**  
 Tipo..... **CST3519-X, CSI4020-X - CS = Chainsaw**  
 Año de marcado de CE..... **2009**

Directivas de la UE:  
**2006/42/EC, 2004/108/EC, 2000/14/EC, 2011/65/EU**

Armonizado EN:  
**EN60745-1, EN60745-2-13, EN50366, EN55014-1, EN61000-3-2, EN61000-3-11**

Organismo notificado que ha realizado el examen tipo CE ..... MEEI Kft., 1007  
 Váci út 48/a-b  
 1132 Budapest  
 Hungary

Nº de certificado ..... **M3 69240049 (CST 3519-X)**  
**M3 69240050 (CST 4020-X)**

Ulm 18/02/2013  
 Peter Lameli  
 Director Global I+D - Portátil  
 Archivo de documentación técnica




Tipo	CST3519-X	CSI4020-X
Art. no.	8862	8863
Peso sin combustible(Kg)	5.6	5.5
Potencia (kW)	1.9	2.0
Capacidad depósito de aceite (cm <sup>3</sup> )	180	180
Paso de cadena (pulgadas)	3/8	3/8
Calibrador de cadena (mm)	1.3	1.3
Longitud máxima de la barra (mm)	350	400
Potencia sonora medida L <sub>WA</sub> <sup>2)</sup> (dB(A))	106	106
Potencia sonora garantizada L <sub>WA</sub> <sup>2)</sup> (dB(A))	108	108
Nivel de presión sonora L <sub>pA</sub> <sup>1)</sup> (dB(A))	95	95
Incertidumbre K <sub>pA</sub> (dB(A))	2.5	2.5
Valor a <sub>h</sub> <sup>1)</sup> (m/s <sup>2</sup> )	5.9	5.3
Incertidumbre K <sub>ah</sub> (m/s <sup>2</sup> )	1.5	1.5
Red-Impedancia Z <sub>max</sub> (Ω)	0.310	0.314
Velocidad de corte (m/s)	12	15

1) Área de trabajo relacionada con la característica de emisión **Nivel** L<sub>pA</sub> según EN60745-2-13 dado en la tabla.

**Valor** de vibraciones a<sub>h</sub> según EN60745-2-13 dado en la tabla.

El valor total declarado de vibración se ha medido de acuerdo con un método de ensayo estándar y se puede utilizar para comparar una herramienta con otra.

El valor total declarado de vibración también se puede utilizar en una evaluación premilitar de exposición.

**Aviso:**

La emisión de vibración durante el uso efectivo de la herramienta eléctrica puede ser distinta del valor total declarado dependiendo de cómo se utilice la herramienta.

Sus operarios han de identificar las medidas de seguridad para protegerse a sí mismos; estas medidas se han de basar en una estimación de la exposición en las condiciones reales de uso (considerando todas las partes del ciclo operativo, como cuando la herramienta está apagada y cuando está encendida sin trabajar, además de los momentos de trabajo real).

2) Los valores L<sub>WA</sub> de Nivel de Ruido son según 2000/14/EC dado en la tabla.

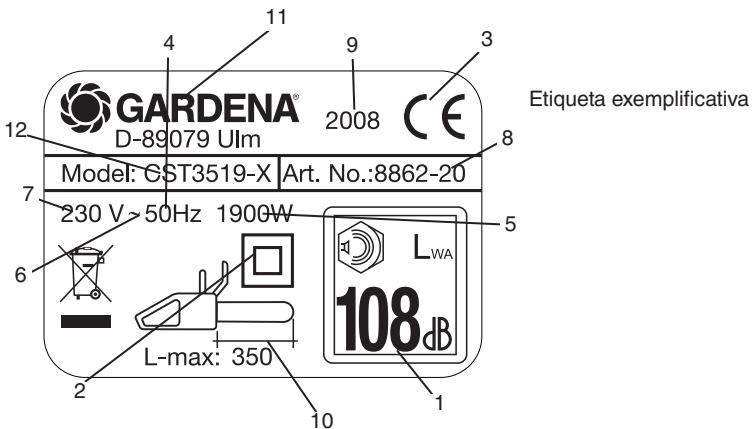
Procedimiento de evaluación de conformidad..... Annex V

**Declaración de conformidad EN 61000-3-11**

Dependiendo de las características de su red eléctrica local, la utilización de este producto puede provocar pequeñas caídas de voltaje en el momento de ponerlo en marcha. Estos bajones pueden afectar a otros equipos eléctricos, por ejemplo, las lámparas pueden oscurecerse momentáneamente. Si la **impedancia Z<sub>max</sub>** de la red eléctrica de su suministro eléctrico es menor que el valor mostrado en el cuadro (aplicable a su modelo) no se producirán los efectos antes descritos. Puede determinar el valor de la impedancia de la red llamando al organismo correspondiente encargado del suministro eléctrico.

## A. DESCRIÇÃO GERAL

- |  |  |
|--|--|
| <ul style="list-style-type: none"> <li>1) Cabo</li> <li>2) Manípulo traseiro</li> <li>3) Protecção da mão traseira</li> <li>4) Janela de inspecção do depósito do óleo</li> <li>5) Orifícios de ventilação</li> <li>6) Interruptor</li> <li>7) Tampa do depósito do óleo</li> <li>8) Manípulo dianteiro</li> <li>9) Protecção da mão dianteira/alavanca do travão da corrente</li> <li>10) Batente dentado</li> <li>11) Botão do tensor da corrente</li> <li>12) Receptor da corrente</li> <li>13) Protecção do carreto de transmissão</li> <li>14) Orifício de lubrificação</li> <li>15) Ranhura da lâmina</li> </ul> | <ul style="list-style-type: none"> <li>16) Lâmina</li> <li>17) Carreto da extremidade</li> <li>18) Mecanismo tensor da corrente</li> <li>19) Bloqueio do interruptor</li> <li>20) Protecção da lâmina</li> <li>21) Corrente</li> <li>22) Manual</li> <li>23) Dente cortante</li> <li>24) Calibrador de profundidade de corte</li> <li>25) Dente de transmissão</li> <li>26) Elo de corte</li> <li>27) Carreto de transmissão</li> <li>28) Parafuso de retenção da lâmina</li> <li>29) Aperta-cabos</li> <li>30) Íman</li> <li>31) Corte térmico</li> <li>32) Frasco do óleo</li> </ul> |
|--|--|



- 1) Potência sonora garantida em conformidade com a directiva 2000/14/EC
- 2) Ferramenta de Classe II
- 3) Selo de conformidade com a CE
- 4) Frequência nominal
- 5) Potência nominal
- 6) Corrente alternada
- 7) Tensão nominal
- 8) Código do produto
- 9) Ano de fabricação
- 10) Comprimento máximo da lâmina
- 11) Nome e endereço do fabricante
- 12) Modelo

## B. PRECAUÇÕES DE SEGURANÇA

### SIGNIFICADO DOS SÍMBOLOS



Atenção



Ler atentamente este manual



Botas de segurança



Capacete, protetores auriculares ou viseira



Luvas anti-corte



Calças compridas anti-corte



Freio desativado, ativado



Remova imediatamente a ficha da tomada se o cabo estiver danificado ou cortado.



Mantenha as outras pessoas afastadas



Direção do dente de corte



Usar sempre com ambas as mãos



Perigo de contragolpe de reação



Não expôr à chuva ou umidade



Óleo da corrente



Não fazer...



Desligar a máquina



Desligue a ficha antes de realizar ajustes ou limpar.



Perigo de choque eléctrico

#### Advertências gerais de segurança para ferramentas eléctricas

**⚠ ADVERTÊNCIA** Leia todas as advertências de segurança e instruções. *O incumprimento das advertências e instruções pode resultar em choque eléctrico, incêndio e/ou lesões graves.*

Guarde todas as advertências e instruções para referência futura.

O termo "ferramenta eléctrica" nas advertências refere-se à sua ferramenta eléctrica ligada à rede eléctrica (com cabo) ou ferramenta eléctrica com bateria (sem cabo).

#### 1) Segurança na área de trabalho

- Mantenha a área de trabalho limpa e bem iluminada. *Áreas desarrumadas ou escuras facilitam a ocorrência de acidentes.*
- Não utilize ferramentas eléctricas em atmosferas explosivas, na presença de líquidos, gases ou pó inflamáveis. *As ferramentas eléctricas criam faíscas que podem incendiar o pó ou os gases.*
- Mantenha crianças e outras pessoas afastadas enquanto estiver a utilizar uma ferramenta eléctrica. *As distrações podem levar a que perca o controlo.*

#### 2) Segurança eléctrica

- As fichas das ferramentas eléctricas devem ser compatíveis com a tomada. Nunca modifique a tomada de forma alguma. Não utilize quaisquer fichas adaptadoras com ferramentas eléctricas ligadas à terra (com fio de terra). *O uso de fichas inalteradas e tomadas adequadas reduzirá o risco de choque eléctrico.*
- Evite o contacto do corpo com superfícies ligadas à terra ou à massa, como tubos, radiadores, fogões e frigoríficos. *Há um maior risco de choque eléctrico se o seu corpo estiver ligado à terra ou à massa.*
- Não exponha as ferramentas eléctricas a chuva ou condições de humidade. *A entrada de água numa ferramenta eléctrica aumentará o risco de choque eléctrico.*
- Não force o cabo. Nunca utilize o cabo para transportar, puxar ou desligar a ferramenta eléctrica da tomada. Mantenha o cabo afastado de calor, óleo, arestas afiadas ou peças móveis. *Cabos danificados ou emaranhados aumentam o risco de choque eléctrico.*

- e) Ao utilizar uma ferramenta eléctrica ao ar livre, utilize uma extensão adequada para uso exterior. Utilizar um cabo adequado para uso exterior reduz o risco de choque eléctrico.
- f) Se a utilização da ferramenta eléctrica num local húmido for inevitável, utilize uma fonte de alimentação protegida com disjuntor diferencial. A utilização de um disjuntor diferencial reduz o risco de choque eléctrico.
- 3) Segurança pessoal
- a) Mantenha-se alerta, esteja atento ao que está a fazer e empregue senso comum ao utilizar uma ferramenta eléctrica. Não utilize uma ferramenta eléctrica quando estiver cansado ou sob o efeito de drogas, álcool ou medicação. Um momento de desatenção ao utilizar uma ferramenta eléctrica pode resultar em lesões pessoais graves.
- b) Utilize equipamento de protecção pessoal. Use sempre protecção para os olhos. Quando utilizado para as condições adequadas, o equipamento de protecção, nomeadamente máscaras de poeira, calçado de segurança com sola antiderrapante, capacete de segurança, ou protecção auditiva reduzirá o risco de lesões pessoais. Estes artigos podem ser adquiridos num fornecedor de vestuário de trabalho.
- c) Evite o arranque acidental. Certifique-se de que o interruptor está desligado antes de ligar a ferramenta à alimentação e/ou bateria, pegar na ferramenta ou transportá-la. Transportar ferramentas eléctricas com o dedo no interruptor ou ligar ferramentas eléctricas que tenham o interruptor ligado facilita a ocorrência de acidentes.
- d) Não se incline em demasia. Mantenha-se sempre bem equilibrado e apoiado. Tal permite um melhor controlo da ferramenta eléctrica em situações inesperadas.
- e) Use vestuário adequado. Não use vestuário largo ou objectos de adorno pessoal. Mantenha o cabelo, roupa e luvas afastados de peças móveis. Roupa larga, objectos de adorno ou cabelo comprido podem ficar presos nas peças móveis.
- 4) Utilização e manutenção de ferramentas eléctricas
- a) Não force a ferramenta eléctrica. Utilize a ferramenta eléctrica correcta para a sua aplicação. A ferramenta eléctrica correcta terá um desempenho melhor e mais seguro se funcionar ao ritmo para o qual foi concebida.
- b) Não utilize a ferramenta eléctrica se o interruptor não a ligar nem desligar. Qualquer ferramenta eléctrica que não possa ser controlada com o interruptor é perigosa e deve ser reparada.
- c) Desligue a ficha da alimentação da ferramenta eléctrica antes de fazer qualquer ajuste, mudar acessórios, ou armazenar as ferramentas eléctricas. Estas medidas de segurança preventivas reduzem o risco de ligar a ferramenta eléctrica acidentalmente.
- d) Armazene as ferramentas eléctricas que não estejam a ser usadas fora do alcance de crianças e não permita que pessoas que não estejam familiarizadas com a ferramenta eléctrica ou estas instruções as utilizem. As ferramentas eléctricas são perigosas nas mãos de utilizadores inexperientes.
- e) Conserve as ferramentas eléctricas em bom estado. Verifique se existem peças móveis mal reguladas ou presas, peças danificadas e qualquer outro problema que possa afectar o funcionamento da ferramenta eléctrica. Se a ferramenta eléctrica estiver danificada, mande-a reparar antes de utilizar. Muitos acidentes são provocados por falta de manutenção das ferramentas eléctricas.
- f) Mantenha as ferramentas de corte afiadas e limpas. Ferramentas de corte em bom estado com gumes afiados têm uma menor probabilidade de prender e são mais fáceis de controlar.
- g) Utilize a ferramenta eléctrica, acessórios e ferramentas de corte etc. de acordo com estas instruções, tendo em conta as condições de trabalho e o trabalho a realizar. A utilização da ferramenta eléctrica em operações para as quais não foi concebida pode resultar numa situação perigosa.
5. Assistência
- a) A sua ferramenta eléctrica deve ser reparada por um técnico de reparação qualificado, e apenas com peças de substituição idênticas. Tal garantirá a manutenção da segurança da ferramenta eléctrica.
- Advertências de segurança para a utilização da motosserra:**
- Quando a motosserra estiver em funcionamento, mantenha todas as partes do corpo afastadas da corrente. Antes de ligar a motosserra, verifique se a motosserra não está encostada ao que quer que seja. Um momento de desatenção durante a utilização da motosserra pode fazer com que a corrente apanhe o seu vestuário ou uma parte do seu corpo.
  - Segure sempre a motosserra com a mão direita no manípulo traseiro e a mão esquerda no manípulo dianteiro. O manuseamento da motosserra com as mãos em posição inversa à mencionada acima aumenta o risco de ferimentos, pelo que nunca a deve utilizar desta forma.
  - Segure a ferramenta eléctrica apenas pelos punhos isolados, visto que a motosserra pode entrar em contacto com cabos ocultos ou com o próprio cabo de alimentação. Se as motosserras entrarem em contacto com um cabo com carga, a corrente pode passar para os componentes metálicos expostos da ferramenta eléctrica, podendo electrocutar o operador.
  - Use óculos de protecção e protecção auditiva. Também é recomendável usar equipamento de protecção para a cabeça, as mãos, as pernas e pés. O vestuário de protecção adequado limitará os ferimentos provocados pelos detritos projectados ou pelo contacto acidental com a corrente. Estes artigos podem ser adquiridos num fornecedor de vestuário de trabalho.
  - Não utilize uma motosserra em cima de uma árvore. A utilização de uma motosserra em cima de uma árvore pode provocar ferimentos.
  - Mantenha-se sempre bem equilibrado e utilize a motosserra apenas quando se encontrar numa superfície fixa, segura e nivelada. As superfícies escorregadias ou instáveis como as escadas, podem causar a perda de equilíbrio ou a perda de controlo da motosserra.
  - Quando cortar um ramo que esteja sob tensão, tenha atenção ao ressaltado. Quando a tensão das fibras da madeira é libertada o ramo pode ressaltar e atingir o operador e/ou provocar a perda do controlo da motosserra.
  - Tenha muito cuidado ao cortar arbustos e árvores novas. Os materiais pouco grossos podem ficar presos na corrente e ser arremessados na sua direcção ou provocar o seu desequilíbrio.
  - Para transportar a motosserra utilize o manípulo dianteiro, desligue-a e mantenha-a afastada do corpo. Para transportar ou guardar a motosserra, coloque sempre a protecção da lâmina. O manuseamento correcto da motosserra reduz a possibilidade de contacto acidental com a corrente em movimento.



- **Siga as instruções relativas à lubrificação, à afinação da tensão da corrente e à substituição de acessórios.** *Uma corrente mal esticada ou lubrificada pode partir ou aumentar a possibilidade de recuo.*
- **Mantenha os manípulos secos e limpos e sem óleo ou gordura.** *Os manípulos com gordura ou óleo ficam escorregadios e causam a perda de controlo.*
- **Corte apenas madeira.** **Não utilize a motosserra para outros fins.** **Por exemplo: não utilize a motosserra para cortar plástico, alvenaria nem materiais de construção que não sejam de madeira.** *A utilização da motosserra em operações para as quais não foi concebida pode resultar numa situação perigosa.*

#### **Causas de recuo e prevenção por parte do operador:**

O recuo pode ocorrer quando a ponta da lâmina toca num objecto (**Fig. B3**), ou quando a madeira fecha e aperta a corrente no corte.

O contacto com a ponta pode, por vezes, provocar uma reacção de inversão repentina, projectando a lâmina para cima e para trás na direcção do operador.

Se a corrente ficar trilhada na parte superior da lâmina, pode projectar a lâmina rapidamente para trás na direcção do operador.

Qualquer uma destas reacções pode provocar a perda de controlo da motosserra, o que pode resultar em ferimentos graves. Não confie apenas nos dispositivos de segurança que a motosserra possui. Na qualidade de operador de uma motosserra, deve adoptar várias medidas para que os seus trabalhos com a motosserra não provoquem acidentes nem ferimentos.

O recuo resulta da má utilização da ferramenta e/ou de condições de utilização incorrectas e pode ser evitado através da adopção de precauções adequadas, conforme descrito de seguida.:

- **Segure-a firmemente com as duas mãos, apertando os manípulos da motosserra com os polegares e os dedos, posicionando o corpo e os braços de forma a conseguir resistir à força de recuo.** *Se o operador adoptar as precauções adequadas pode controlar a força de recuo. Não deixe a motosserra.*
- **Não se incline em demasia nem efectue cortes acima do nível dos ombros.** *Desta forma ajuda a prevenir o contacto não propositado da ponta e consegue controlar melhor a motosserra em situações imprevistas.*
- **Utilize apenas lâminas e correntes de substituição indicadas pelo fabricante.** *Lâminas e correntes de substituição não indicadas pelo fabricante podem provocar a ruptura da corrente e/ou recuos.*
- **Siga as instruções do fabricante para afiar e fazer a manutenção da corrente.** *A diminuição da altura do calibrador de profundidade pode aumentar a ocorrência de recuo.*

#### **Recomendações de segurança adicionais**

- 1. Consulta do Manual.** Qualquer pessoa que utilize esta máquina tem de ler completa e atentamente o manual do utilizador. Se a máquina for vendida ou emprestada a outra pessoa, o manual do utilizador tem de acompanhar a máquina.
- 2. Precauções antes da utilização da máquina.** Nunca permita que esta máquina seja utilizada por alguém que não conheça completamente as instruções do manual. As pessoas sem prática têm de praticar utilizando um cavalete para serrar madeira.

- 3. Verificações de rotina.** Verifique sempre a máquina, atentamente, antes de cada utilização e tendo mais em atenção se ela foi submetida a impactos fortes ou se apresenta algum indicio de avaria. Efectue todas as operações descritas no capítulo "Manutenção e armazenamento – Antes de cada utilização".
- 4. Reparações e manutenção.** Todas as peças da máquina que podem ser substituídas pelo operador estão claramente explicadas no capítulo que contém as instruções relativas a "Montagem/desmontagem". Quando for necessário, quaisquer outras peças da máquina têm de ser substituídas, exclusivamente, por um Centro de Assistência Autorizado.
- 5. Vestuário. (fig. B1)** Para utilizar esta máquina o operador da máquina tem de usar o vestuário de protecção individual aprovado seguidamente indicado. vestuário de protecção aconchegado, botas de protecção com reforço protector, biqueira de aço e solas anti-derrapantes, luvas com reforço protector, viseira ou óculos de protecção, protectores auriculares e capacete (se houver o risco de queda de objectos). Estes artigos podem ser adquiridos num fornecedor de vestuário de trabalho.
- 6. Precauções para a saúde – Níveis de ruído e de vibração.** Tenha atenção com as restrições de ruído na área circundante. A utilização prolongada da máquina submete o operador a vibrações que podem provocar "fenómeno de dedos mortos" (síndrome de Raynaud), síndrome de canal cárpico e outras perturbações semelhantes.
- 7. Precauções para a saúde – Agentes químicos.** Utilize apenas óleo aprovado pelo fabricante.
- 8. Precauções para a saúde - Calor.** Durante a utilização, o carreto e a corrente atingem temperaturas extremamente elevadas; não toque nestes componentes enquanto estiverem quentes.

**Precauções para o transporte e armazenamento. (fig. B2)** Sempre que mudar de área de trabalho, desligue a máquina da alimentação eléctrica e accione a alavanca do travão da corrente. Coloque sempre a protecção da lâmina antes de transportar ou armazenar a máquina. Transporte sempre a máquina com a lâmina virada para trás e, se a transportar num veículo, prenda-a sempre firmemente para evitar danos.

**Reacção de recuo. (fig. B3)** A reacção de recuo consiste numa acção violenta da lâmina, que é impulsionada para cima e para trás em direcção ao operador. Geralmente, isto ocorre se a parte superior da ponta da lâmina (a chamada "zona de perigo de recuo") (ver a marcação vermelha na lâmina) entrar em contacto com algum objecto ou se a corrente ficar presa na madeira. O recuo pode fazer com que o operador perca o controlo da máquina e provocar acidentes perigosos e mesmo fatais. A alavanca do travão da corrente e restantes dispositivos de segurança não são suficientes para proteger o operador de ferimentos: o utilizador tem de estar ciente das condições que podem provocar a reacção, preveni-las estando muito atento, com base na sua experiência, sendo prudente e manuseando correctamente a máquina (por exemplo: nunca cortar vários ramos de uma vez, pois isto pode causar um impacto accidental na "zona de perigo de recuo").

#### **Segurança da área de trabalho**

1. Nunca permita que crianças ou pessoas que desconheçam estas instruções utilizem o equipamento. Os regulamentos locais poderão impor restrições à idade do operador.
2. Utilize a máquina, exclusivamente, da forma descrita nestas instruções e para as funções a que se destina.
3. Verifique atentamente toda a área de trabalho quanto a possíveis perigos (ex.: estradas, caminhos, cabos eléctricos, árvores perigosas, etc.)



- Mantenha todas as pessoas e animais afastados da área de trabalho (se for necessário, isole a área e utilize sinais de advertência), a uma distância mínima de 2,5 x da altura do tronco; a área nunca deve ser inferior a dez metros.
- O operador ou o utilizador é o responsável pelos acidentes ou perigos que ocorram em pessoas ou suas propriedades.

### Segurança eléctrica

- Recomenda-se que utilize um dispositivo de corrente residual com disjuntor diferencial com uma corrente de disparo não superior a 30 mA. Mesmo estando instalado um dispositivo de corrente residual com disjuntor diferencial, não pode ser garantida uma segurança a 100% e é necessário seguir sempre as práticas de trabalho seguras. Verifique o dispositivo de corrente residual com disjuntor diferencial sempre que o utilizar.
- Antes de utilizar, verifique se existem vestígios de danos ou desgaste. Se o cabo estiver danificado, leve o equipamento a um Centro de Assistência Autorizado e solicite a substituição do cabo.
- Não utilize a máquina se os cabos eléctricos estiverem danificados ou desgastados.
- Se o cabo estiver cortado ou se o isolamento estiver danificado, desligue imediatamente a fonte da alimentação eléctrica. Não toque no cabo eléctrico antes de desligar a alimentação eléctrica. Não efectue reparações num cabo cortado ou danificado. Leva a máquina a um Centro de Assistência Autorizado para reparar o cabo.
- Assegure sempre que cabo/extensão ficam atrás do operador, garantindo que não criam uma fonte de perigo para o utilizador ou outras pessoas e que fiquem dispostos de forma a que não possam ser danificados (por calor, objectos afiados, extremidades cortantes, óleo, etc.).

- Posicione o cabo de maneira a que não possa ser apanhado pelos ramos ou outros durante a operação de corte.
- Desligue sempre a alimentação eléctrica antes de desligar qualquer ficha, conectores ou extensões.
- Desligue, retire a ficha da alimentação eléctrica e examine o cabo de alimentação eléctrica quanto a danos ou desgaste, antes de enrolar o cabo para guardar. Não repare um cabo danificado. Leva a máquina a um Centro de Assistência Autorizado para reparar o cabo.
- Remova a ficha da alimentação eléctrica antes de deixar a máquina sozinha, por qualquer período de tempo que seja.
- Enrole o cabo sempre com cuidado para evitar o emaranhamento.
- A máquina só pode ser usada nas instalações eléctricas de CC com a tensão indicada na etiqueta de classificação do produto.
- A motosserra possui isolamento duplo em conformidade com as normas EN60745-1 e EN60745-2-13. Nunca, em nenhuma circunstância, deve fazer uma ligação à terra a qualquer peça da máquina.

### Cabos

- Os cabos de alimentação e as extensões podem ser adquiridos no centro local de assistência aprovado.
- Utilize apenas extensões aprovadas
- As extensões e os cabos só devem ser usados se se destinarem a utilização no exterior.
- Se desejar usar um cabo de extensão durante a utilização do equipamento, só devem ser utilizados cabos com as seguintes dimensões:
  - 1,0 mm<sup>2</sup> : comprimento máx. 40 m
  - 1,5 mm<sup>2</sup> : comprimento máx. 60 m
  - 2,5 mm<sup>2</sup> : comprimento máx. 100 m

## C. DESCRIÇÃO DOS EQUIPAMENTOS DE SEGURANÇA DA MÁQUINA

### BLOQUEIO DO INTERRUPTOR

Na sua máquina está instalado um dispositivo (fig. 1a, 2a) que, se não acionado, bloqueia a pressão do interruptor, a fim de prevenir a ligação acidental da máquina.

### FREIO DA CORRENTE NA LIBERAÇÃO DO INTERRUPTOR

A sua máquina dispõe de um dispositivo que bloqueia instantaneamente a corrente no momento da liberação do interruptor. Caso não funcione, não use a máquina. Leve-a a um Centro de Assistência Autorizado.

### FREIO DA CORRENTE / PROTEÇÃO ANTERIOR DA MÃO

A protecção anterior da mão (fig. 1b, 2b) serve para evitar que a sua mão esquerda entre em contacto com a corrente (com a premissa de que o operador esteja segurando corretamente a máquina). A protecção anterior da mão tem, ainda, a função de acionar o freio da corrente, dispositivo estudado para bloquear a corrente em poucos milésimos de segundos, em caso de contragolpe de reacção. O freio da corrente é desinserido quando a protecção anterior da mão é puxada para trás e bloqueada (fig. 3a, 3b). O travão da corrente é activado quando a protecção da mão dianteira é pressionada para a frente e quando a corrente pára (fig. 4a, 4b). O travão da corrente pode ser activado com o pulso esquerdo, empurrando para a frente, ou quando o pulso entrar em contacto com a protecção da mão dianteira em resultado do efeito de coice. Quando utilizar a máquina com a barra na posição horizontal, por exemplo, durante o derrube de árvores, o travão da corrente proporciona menos protecção (fig. 5).

NOTA: Quando o freio da corrente é inserido, um interruptor de segurança retira electricidade do motor.

**⚠ Se soltar o travão da corrente enquanto estiver a premir o interruptor, o equipamento arrancará.**

### EIXO PÁRA-CORRENTE

Esta máquina está equipada com uma protecção de corrente (fig. 6a, 6b) situada por debaixo do carregote. Este mecanismo foi concebido para parar o movimento de retorno da corrente caso esta parta ou desengate. Estas situações podem evitar-se através de uma tensão correcta da corrente (Consulte o capítulo "D. Montagem/desmontagem").

### PROTEÇÃO POSTERIOR DA MÃO DIREITA

Serve para proteger (fig. 7a, 7b) a mão em caso de salto ou rompimento da corrente.

### CORTE TÉRMICO

O Motor está protegido por um interruptor de corte térmico (Fig. 1c, 2c) que é activado quando a corrente encrava ou em caso de sobrecarga do motor. Quando tal acontece, interrompe a operação e tire a ficha da fonte de alimentação, elimine quaisquer obstruções e aguarde alguns minutos até o equipamento arrefecer. Proceda à reposição premindo novamente o interruptor de corte térmico.

**⚠ Se proceder à reposição do interruptor de corte térmico com o travão da corrente solto e o interruptor premido, o equipamento arrancará.**

## D. MONTAGEM / DESMONTAGEM

### MONTAGEM DA LÂMINA E DA CORRENTE

Tenha muito cuidado durante a montagem para assegurar a sua correcta execução.

#### **Remova a ficha da alimentação eléctrica antes de intervir na máquina.**

1. Verifique se o travão da corrente não está activado. Se não estiver, desactive-o.

2a e 2b. Desaperte o botão do tensor da corrente e rode no sentido oposto ao dos ponteiros do relógio para retirar a protecção do carreto de transmissão.

#### **Use luvas.**

3 Posicione a corrente por cima da lâmina, começando pelo carreto da extremidade e instalando na ranhura da lâmina.

Certifique-se de que o lado afiado dos dentes de corte está voltado para a frente na parte superior da lâmina. (ver as marcações da lâmina)

4. Rode o mecanismo do tensor da corrente no sentido oposto ao dos ponteiros do relógio, até ao máximo possível.

5a e 5b. Monte a lâmina no parafuso de retenção da lâmina para que esta encoste ao íman. Posicione a corrente sobre o carreto de transmissão.

6a e 6b. Instale novamente a protecção do carreto de transmissão, certificando-se de que os dentes de transmissão da corrente engatam no carreto de transmissão e na ranhura da lâmina.

7a e b. Para esticar a corrente, rode o botão do tensor da corrente no sentido dos ponteiros do relógio até ficar bem apertado. Assim, a corrente está correctamente esticada para ser utilizada.

Se esticar demasiadamente a corrente irá sobrecarregar o motor e causar danos. Se a tensão for insuficiente a corrente pode saltar, ao passo que uma corrente com a tensão correcta apresenta uma capacidade de corte perfeita e uma vida útil mais longa. Verifique a tensão regularmente pois a corrente tende a esticar com o uso (especialmente quando a corrente é nova; neste caso, a tensão da corrente tem de ser verificada após alguns minutos de utilização da máquina); em qualquer caso não deve esticar a corrente imediatamente após a utilização, aguarde até que arrefeça.

Nos casos em que é necessário ajustar a corrente desapertada, desaperte sempre o botão do tensor da corrente 2 voltas e, depois, volte a apertar firmemente deixando a corrente esticada para ser utilizada.

#### **Advertência: - a corrente e a lâmina podem aquecer muito.**

## E. ACENDIMENTO E DESLIGAMENTO

**Arranque:** agarre ambas as alavancas com firmeza, solte a alavanca do travão da corrente, certificando-se de que não tira a mão da alavanca da frente, prima e mantenha premido o bloqueio do interruptor, depois prima o interruptor (neste momento, poderá soltar o bloqueio do interruptor).

**Desligar:** a máquina desliga-se quando o interruptor é libertado ou quando é accionado o travão da corrente.

## F. LUBRIFICAÇÃO DA BARRA E DA CORRENTE

**ATENÇÃO!** UA lubrificação insuficiente provoca a ruptura da corrente e pode causar ferimentos graves. Então verifique - como indicado em "Manutenção" - se o óleo da corrente está sendo liberado em quantidade suficiente.

#### **Escolha do óleo da corrente**

Utilize apenas óleo aprovado pelo fabricante.

Recomenda-se a utilização de óleo biológico para a corrente, que é biodegradável.

#### **Abastecimento do óleo**

Abra a tampa do reservatório de óleo, encha o reservatório, evitando de derramar óleo (caso isso ocorra, limpe bem a motosserra), e feche bem a tampa denovo.

## G. MANUTENÇÃO E ARMAZENAMENTO

**⚠ Antes de efectuar qualquer manutenção ou limpeza, remova a ficha da alimentação eléctrica.**

**⚠ ATENÇÃO!** Em caso de trabalho em ambientes particularmente sujos ou empoeirados, as operações descritas devem ser executadas com maior frequência.

### Antes de cada uso

Verifique se a bomba do óleo da corrente esteja funcionando bem: posicionar a barra a aproximadamente vinte centímetros de distância de uma superfície clara; depois de um minuto de funcionamento da máquina, a superfície deverá apresentar evidentes manchas de óleo (**fig. 1**). Certifique-se que para inserir e desinserir o freio da corrente não seja necessário empregar uma força excessiva ou insuficiente, e certifique-se que não esteja bloqueado. Depois verifique o funcionamento como indicado a seguir: desinserir o freio da corrente, segure corretamente a máquina e ligue-a, insira o freio da corrente empurrando a proteção anterior da mão com o pulso/braço esquerdo, sem tirar as mãos dos punhos (**fig.2**). Se o freio da corrente estiver funcionando bem, a corrente se bloqueará imediatamente. Certifique-se que a corrente esteja afiada (ver abaixo), em bom estado e esticada corretamente. Caso esteja gasta em maneira não-uniforme ou tenha o dente de corte com somente 3mm, providencie a sua substituição (**fig.3**).

Limpe os orifícios de ventilação com frequência, para evitar o superaquecimento do motor. (**fig 4a, 4b**).

Verifique o funcionamento do interruptor e do bloqueio do interruptor (essa operação deve ser feita com o freio da corrente desinserido): acione o interruptor e o bloqueio do interruptor, e controle que ambos retornem em posição de repouso logo que sejam liberados; certifique-se que, sem acionar o bloqueio do interruptor, seja possível acionar o interruptor.

Certifique-se que o eixo pára-corrente e a proteção da mão direita estejam íntegros e sem defeitos aparentes, como lesões materiais.

### Depois de 2-3 horas de uso

Verifique o estado da barra. Se necessário, limpe cuidadosamente os furos de lubrificação (**fig. 5**) e a canalura guia (**fig. 6**). Limpe o carreto de transmissão com regularidade e verifique se não foi sujeito a um desgaste excessivo. (**fig.7**). Lubrifique a rodela de bico da barra com óleo para rolamentos, através do furo indicado (**fig.8**).

### Afiamento da corrente

Contactar um centro de assistência autorizado relativamente a quaisquer problemas com a afiação da corrente

**⚠ A corrente tem de ser correctamente afiada. Uma corrente incorrectamente afiada pode provocar o efeito de colce com o elevado risco de lesões.**

Se a corrente não corte sem que você tenha que apertar a barra contra a madeira e produz uma serragem muito fina, significa que não está bem afiada. Se o corte não produz serragem, a corrente perdeu completamente o fio e, cortando, pulveriza a madeira. Uma corrente bem afiada avança sozinha na madeira e produz lascas grandes e compridas.

A parte cortante da corrente é constituída pela malha de corte (**fig. 9**), com um dente de corte (**fig.10**) e um delimitador de corte (**fig.11**). O desnível entre estes determina a profundidade do corte; para obter um bom afiamento, são necessários um guia-lima e uma lima-redonda com 4mm de diâmetro. Siga as seguintes indicações: com a corrente montada e corretamente esticada, insira o freio da corrente, posicione o guia-lima conforme a figura, perpendicularmente à barra (**fig.12**), e aja sobre o dente di taglio com as angulações indicadas na figura (**fig.13A & 13B**), afiando sempre de dentro para fora e afrouxando a pressão na fase de retorno (é muito importante respeitar as indicações: ângulos de afiamento excessivos, insuficientes ou um diâmetro de lima errado aumentam a tendência ao contragolpe de reação). Para obter ângulos laterais mais precisos, aconselha-se posicionar a lima verticalmente, 0,5mm acima do cortante superior. Antes de tudo, afie os dentes de um lado, depois a serra e então repita a operação. Certifique-se que, depois do afiamento, os dentes tenham igual comprimento e que a altura dos delimitadores de profundidade seja de 0,6mm abaixo do cortante superior: verifique a altura usando o modelo e lime (com uma lima plana) a parte saliente; depois arredonde a parte anterior do delimitador de profundidade (**fig.14**), prestando atenção para NÃO limar o dente de proteção anti-contragolpe (**fig.15**).

### A cada 30 horas de utilização.

Leve a máquina a um Centro de Assistência Autorizado

### Armazenamento/Transporte

Deixe a máquina arefrecer e coloque a protecção sobre a lâmina e corrente.

Guarde a máquina num local fresco e seco e fora do alcance das crianças. Não guardar no exterior.

Verifique se a máquina não apresenta fugas de óleo.

## H. TÉCNICAS DE CORTE

### Durante o uso, evite: (**fig.1**)

- Realizar o corte em situações em que o tronco poderia romper-se durante a operação (madeira em tensão, árvores secas, etc.): uma quebra repentina pode ser muito perigosa.

- Que a barra ou a corrente encastrem-se no corte: caso isso ocorra, desligar a máquina da corrente elétrica e tentar levantar o tronco, fazendo alavanca com uma ferramenta adequada; não tente liberar a máquina sacudindo-a ou puxando-a, porque você poderia danificá-la e machucar-se.

- Situações que poderiam favorecer o contragolpe de reação.

-usar o equipamento acima do nível dos ombros

-cortar madeira com objectos estranhos, p. ex., pregos.

Nunca utilize a máquina em terra ou pedras, já que tal provoca um desgaste imediato da corrente.

### Durante o uso: (**fig. 1**)

- Se você deve realizar um corte sobre um terreno inclinado, trabalhe na parte mais alta do tronco, de modo que este não possa atingi-lo quando caia.

- em caso de abatimento, nunca deixe o trabalho pela metade: uma árvore parcialmente cortada poderia romper-se.

- No fim de cada corte, você perceberá uma notável mudança na força empregada para segurar a máquina. Preste atenção para não perder o controle.

O texto a seguir refere-se os seguintes dois tipos de cortes:

O corte com a corrente "a puxar" (de cima para baixo) (fig. 2), que apresenta o risco de um repentino escorregamento da máquina em direção ao tronco, com uma conseqüente perda de controle. Se possível, use um gancho durante o corte.

O corte com corrente "a empurrar" (de baixo para cima) (fig. 3) apresenta o risco de um repentino escorregamento da máquina na direção do operador, com o risco de atingi-lo ou choque do setor de risco contra o tronco, com o conseqüente contragolpe de reação; preste muita atenção quando estiver realizando o corte.

O modo mais seguro de usar a máquina é com a madeira bloqueada no cavalete, cortando de cima para baixo e trabalhando fora do suporte. (fig.4)

#### Uso do gancho

Quando possível, use o gancho para um corte mais seguro, coloque-o no córtex ou na parte superficial do tronco, de modo que você possa manter mais facilmente o controle da máquina.

A seguir vão os procedimentos típicos a serem adotados em determinadas situações. É o caso de avaliar se se adaptam ou não ao seu caso, de acordo com as circunstâncias. Seguem também o procedimento de realização do corte com risco mínimo.

**Tronco no chão** (Risco de a corrente tocar o chão no fim do corte). (fig.5)

Corte de cima para baixo através do tronco. Prossiga com cuidado ao fim do corte, para evitar que a corrente encontre o chão. Se é possível, termine o corte a 2/3 do diâmetro do tronco, gire o tronco e corte a parte restante de cima para baixo, para limitar o risco de contato com o chão

**Tronco apoiado de um lado só** (Risco de rompimento do tronco durante o corte) (fig.6)

Comece o corte da parte de baixo, até aproximadamente 1/3 do diâmetro do tronco. Depois termine de cortar a parte de cima, encontrando o corte já realizado.

**Tronco apoiado dos dois lados** (Risco de esmagamento da corrente.) (fig.7)

Comece o corte da parte de cima, até aproximadamente 1/3 do diâmetro do tronco. Depois termine de cortar a parte de baixo, encontrando o corte já realizado.

**Corte de derrube numa inclinação.** Coloque-se sempre pela parte de cima do tronco. Para manter total controle durante o "corte normal", deixe de exercer pressão perto do final do corte, sem diminuir a força com que está a segurar nos manipulados da máquina. Não permita que a corrente entre em contato com o solo.

#### Abatimento

**AATENÇÃO!** Não tente abater uma árvore se você não tem a experiência necessária; e, de qualquer maneira, nunca abata um tronco cujo diâmetro seja maior que o comprimento da barra! Essa operação está reservada aos usuários espertos, que possuam o equipamento adequado.

O objetivo do abatimento é derrubar a árvore na melhor posição possível para a sucessiva retirada dos ramos e corte do tronco. (Evite que uma árvore em queda enrosque-se numa outra: provocar a queda de uma árvore enroscada é uma operação muito perigosa).

Você deve decidir a melhor direção de queda avaliando: o que há ao redor da árvore, a sua inclinação, curvatura, a direção do vento e a concentração dos ramos.

Não ignore a presença de ramos mortos ou quebrados: estes poderiam romper-se durante o abatimento e representar um perigo.

**ATENÇÃO!** Durante as operações de abatimento em condições críticas, retire imediatamente a proteção acústica depois do corte, para poder ouvir barulhos estranhos e eventuais sinais de advertência.

#### Operações preliminares ao corte a individuação da via de fuga

Elimine os ramos que atrapalham o trabalho (fig. 8), começando de cima para baixo e mantendo o tronco entre o seu corpo e a motosserra. Elimine os ramos mais difíceis, um por vez. Elimine a vegetação ao redor da árvore e observe os eventuais obstáculos presentes (pedras, raízes, fossas, etc.) quando planificar a sua via de fuga (a ser seguida durante a queda da árvore); consulte a figura (fig. 9) para saber a direção a ser tomada (A direção prevista de queda da árvore. B. Via de Fuga C. Zona de risco)

#### ABATIMENTO (fig.10)

Para assegurar o controle da queda da árvore, é necessário realizar os seguintes cortes:

O corte direcional, que deve ser feito em primeiro lugar, e que serve para controlar a direção de queda da árvore: realize primeiramente a PARTE SUPERIOR do corte direcional do lado em que a árvore deve ser abatida. Mantenha-se à direita da árvore e corte com a corrente "a puxar"; depois realize a PARTE INFERIOR do corte, que deve atingir o fim da parte superior. A profundidade do corte direcional deve ser de 1/4 do diâmetro do tronco, com um ângulo entre o corte superior e o corte inferior de pelo menos 45°. O encontro entre os dois cortes é chamado "linha de corte direcional". A linha deve ser perfeitamente horizontal e em ângulo reto (90°) em relação à direção de queda.

O corte de abatimento, com o objetivo de provocar a queda da árvore, deve ser realizado a 3-5 cm acima da parte inferior do plano da linha de corte direcional, e terminar a uma distância de 1/10 do tronco em relação a este último. Mantenha-se à esquerda da árvore e corte com a corrente "a puxar", usando o gancho. Certifique-se que a árvore não se mova em direção diversa daquela prevista para a queda. Assim que possível, coloque uma cunha de abatimento no corte. A parte de tronco não cortada é chamada fulcro (sustentáculo), e é como um "ziper" que guia a árvore na queda; caso seja insuficiente, curvo ou completamente serrado, não será possível controlar a queda da árvore (muito perigoso!) por isso, é necessário que os vários cortes sejam feitos com precisão.

Ao terminar os cortes, a árvore começará a cair. Caso seja útil, use uma cunha ou uma alavanca de abatimento.

#### Retirada dos ramos

Abatida a árvore, o passo seguinte é a eliminação dos ramos do tronco. Não subestime essa operação, porque a maior parte dos incidentes de contragolpe de reação acontecem exatamente durante a retirada dos ramos. Por isso, preste atenção à posição da ponta da lâmina durante o corte e trabalhe do lado esquerdo do tronco.

## ECOLOGIA


Este capítulo contém informações úteis para manter as características de compatibilidade ecológica, ideadas na fase de desenvolvimento da máquina, o correto uso desta e a correta eliminação dos óleos.

### USO DA MÁQUINA

As operações de enchimento do tanque de óleo devem ser realizadas de forma a evitar a dispersão do óleo da corrente no ambiente.

### SUCATEAMENTO

Não disperse no ambiente a máquina inutilizada, e sim entregue-a às entidades autorizadas à eliminação do lixo, segundo as normas previstas pela legislação em vigor.

O símbolo  existente no produto ou na respectiva embalagem indica que o produto não pode ser tratado como lixo doméstico. Por conseguinte, deverá ser depositado no ponto de recolha aplicável para efeitos de reciclagem de equipamento eléctrico e electrónico. Ao assegurar-se de que a deposição deste produto é efectuada da forma correcta, estará a contribuir para evitar consequências potencialmente negativas para o ambiente e a saúde humana, que, de outro modo, poderiam ser causadas pelo manuseamento inadequado deste produto.

Para mais informações sobre a reciclagem deste produto, contacte o gabinete municipal da sua localidade, o serviço de recolha de lixos domésticos ou a loja onde adquiriu o produto.

**A corrente e a respectiva guia são consumíveis e não se enquadram no âmbito da garantia.**

**TABELA DE POSSÍVEIS PROBLEMAS**

	O motor não liga	O motor funciona mal ou perde	A máquina liga, mas não corta corretamente	O motor funciona de maneira anómala	Os dispositivos de freio não bloqueiam corretamente a rotação da corrente
Certifique-se que há eletricidade na rede	●				
Verifique se o cabo está corretamente inserido na tomada	●				
Verifique se o cabo ou a extensão estão danificados	●				
Certifique-se que o freio da corrente não esteja inserido	●				
Verifique se a corrente está devidamente instalada e tem a tensão correcta		●	●		
Verifique se a lubrificação da corrente corresponde à descrição dos capítulos F e G		●	●		
Certifique-se de que a corrente está afiada			●		
Verifique se o interruptor de corte térmico está activado.	●				
Entre em contato com um Centro de Assistência Técnica autorizado.	●	●		●	●

## DECLARAÇÃO DE CONFORMIDADE UE

A abaixo assinada Husqvarna AB, S-561 82, Huskvarna, Sweden, por este meio e aqui certifica que, ao deixar a nossa fábrica, as unidades abaixo estão em conformidade com as directrizes harmonizadas da UE, padrões da EU de segurança e padrões específicos do produto. Esta declaração será invalidada caso a unidade seja modificada sem a nossa aprovação.

Descrição da Unidade..... **Motoserra eléctrica**  
 Tipo ..... **CST3519-X, CSI4020-X - CS = Chainsaw**  
 Ano de Marcação da UE..... **2009**

Directivas da UE:  
**2006/42/EC, 2004/108/EC, 2000/14/EC, 2011/65/EU**

Harmonizado EN:  
**EN60745-1, EN60745-2-13, EN50366, EN55014-1, EN61000-3-2, EN61000-3-11**

Organismo Notificado que realizou o certificado de exame CE ..... MEEI Kft., 1007  
 Váci út 48/a-b  
 1132 Budapest  
 Hungary

Certificado n.º ..... **M3 69240049 (CST 3519-X)**  
**M3 69240050 (CST 4020-X)**

Ulm 18/02/2013  
 Peter Lameli  
 Director de Investigação e  
 Desenvolvimento Global - Ferramentas portáteis  
 Responsável pela documentação técnica



Tipo	CST3519-X	CSI4020-X
Art. no.	8862	8863
Peso a seco (Kg)	5.6	5.5
Potência (kW)	1.9	2.0
Capacidade do tanque de óleo (cm³)	180	180
Passo da corrente (inches)	3/8	3/8
Calibre da corrente (mm)	1.3	1.3
Comprimento máximo da lâmina (mm)	350	400
Potência Sonora medida $L_{WA}^{(2)}$ (dB(A))	106	106
Potência sonora garantida $L_{WA}^{(2)}$ (dB(A))	108	108
Nível de pressão sonora $L_{pA}^{(1)}$ (dB(A))	95	95
Irregularidade $K_{pA}$ (dB(A))	2.5	2.5
Valor $a_{h}^{(1)}$ (m/s²)	5.9	5.3
Incerteza $K_{ah}$ (m/s²)	1.5	1.5
Impedância da rede eléctrica $Z_{max}$ (Ω)	0.310	0.314
Velocidade de corte (m/s)	12	15

1) Área de trabalho relacionada com emissão característica **Nível**  $L_{pA}$  conforme o EN60745-2-13 dado na tabela. .

**Valor** de vibrações conforme o EN60745-2-13 dado na tabela.

O valor total de vibração declarado foi medido em conformidade com um método de teste padrão e pode ser utilizado para comparação de uma ferramenta com outra.

O valor total de vibração declarado também pode ser utilizado numa avaliação de exposição preliminar.

**Advertência:**

A emissão de vibração durante a utilização real da ferramenta eléctrica pode ser diferente do valor total declarado, dependendo dos modos como a ferramenta é utilizada.

Os operadores devem identificar medidas de segurança para protecção própria que se baseiem numa estimativa da exposição nas condições de utilização reais (considerando todos os componentes do ciclo de funcionamento, tais como o número de vezes que a máquina é desligada e quando está em funcionamento, para além do tempo de disparo).

2) Valores do nível de ruído  $L_{WA}$  conforme o 2000/14/CE dados na tabela.

Procedimento de avaliação da conformidade.....Annex V

**Declaração de conformidade com EN 61000-3-11**

Dependendo das características da rede eléctrica local, a utilização deste equipamento pode provocar breves quedas de tensão quando o mesmo é ligado. Tal efeito pode influenciar outro equipamento eléctrico, como por exemplo, a redução temporária da intensidade luminosa de uma lâmpada. Se a **impedância  $Z_{max}$**  da rede eléctrica for inferior ao valor indicado na tabela (aplicável ao seu modelo), esses efeitos não se verificarão. Para determinar o valor de impedância da rede, poderá contactar a companhia fornecedora de electricidade local



**Deutschland / Germany**

GARDENA GmbH  
Central Service  
Hans-Lorenser-Straße 40  
D-89079 Ulm  
Produktfragen:  
(+49) 731 490-123  
Reparaturen:  
(+49) 731 490-290  
service@gardena.com

**Albania**

EIG Sh.p.k - Rruga. Siri Kodra  
Blloku i Magazinave  
Frigoriferi Metalik Blu  
4000 Tirana  
**Argentina**  
Husqvarna Argentina S.A.  
Vera 745  
(C1414AOO) Buenos Aires  
Phone: (+54) 11 4858-5000  
diego.poggi@ar.husqvarna.com

**Australia**

Husqvarna Australia Pty. Ltd.  
Locked Bag 5  
Central Coast BC, NSW 2252  
Phone: (+61) (0) 2 4352 7400  
customer.service  
husqvarna.com.au

**Austria / Österreich**

Husqvarna Austria GmbH  
Consumer Products  
Industriezeile 36  
4010 Linz  
Tel.: (+43) 732 77 01 01- 90  
consumer.service@husqvarna.at

**Belgium**

GARDENA Belgium NV/SA  
Sterrebeekstraat 163  
1930 Zaventem  
Phone: (+32) 2 7 20 92 12  
Mail: info@gardena.be

**Bosnia / Herzegovina**

SILK TRADE d.o.o.  
Industrijska zona Bukva bb  
74260 Tešanj

**Brazil**

Palash Comércio e  
Importação Ltda.  
Rua São João do Araguaia, 338  
- Jardim Califórnia -  
Barueri - SP - Brasil -  
CEP 06409-060  
Phone: (+55) 11 4198-9777  
eduardo@palash.com.br

**Bulgaria**

Хускварна България ЕООД  
Бул. „Андрей Ляпчев“ № 72  
1799 София  
Тел.: (+359) 02/9753076  
www.husqvarna.bg

**Canada / USA**

GARDENA Canada Ltd.  
100 Summerlea Road  
Brampton, Ontario L6T 4X3  
Phone: (+1) 905 792 93 30  
info@gardenacanada.com

**Chile**

Antonio Martinic y Cia Ltda.  
Cassillas 272  
Centro de Cassillas  
Santiago de Chile  
Phone: (+56) 2 20 10 708  
garfar\_cl@yahoo.com

**Costa Rica**

Compania Exim  
Euroiberoamericana S.A.  
Los Colegios, Moravia,  
200 metros al Sur del Colegio  
Saint Francis - San José  
Phone: (+506) 297 68 83  
exim\_euro@racsa.co.cr

**Croatia**

SILK ADRIA d.o.o.  
Josipa Lončara 3  
10090 Zagreb  
Phone: (+385) 1 3794 580  
silk.adria@zg.t-com.hr

**Cyprus**

FARMOKIPIKI LTD  
P.O. Box 7098  
74, Digeni Akrita Ave.  
1641 Nicosia  
Phone: (+357) 22 75 47 62  
condam@spidernet.com.cy

**Czech Republic / Slovak Republic**

Husqvarna Česko s.r.o.  
odštěpný zřvod GARDENA  
Tuřanka 1222 /115  
627 00 Brno  
Phone: (+420) 548 217 777  
gardena@gardenabrno.cz

**Denmark**

GARDENA / Husqvarna  
Consumer Outdoor Products  
Salgsafdelning Danmark  
Box 9003  
S-200 39 Malmö  
info@gardena.dk

**Estonia**

Husqvarna Eesti OÜ  
Consumer Outdoor Products  
Kesk tee 10, Aaviku küla  
Rae vald, Harju maakond  
75305 Estoni  
kontakt.ej@husqvarna.ee

**Finland**

Oy Husqvarna Ab  
Consumer Outdoor Products  
Lautatarhankatu 8 B / PL 3  
00581 HELSINKI  
info@gardena.fi

**France**

GARDENA France  
Immeuble Exposial  
9 -11 allée des Pierres Mayettes  
ZAC des Barbanniers, B.P. 99  
-F- 92232 GENNEVILLIERS  
cedex  
Tél. (+33) 01 40 85 30 40  
service.consommateurs@  
gardena.fr

**Great Britain**

Husqvarna UK Ltd  
Preston Road  
Aycliffe Industrial Park  
Newton Aycliffe  
County Durham, DL5 6UP  
info.gardena@husqvarna.co.uk

**Greece**

HUSQVARNA ΕΛΛΑΣ Α.Ε.Β.Ε.  
Υπ /μα Ηφαιστου 33Α  
Βτ. Πε. Κρωπίου  
194 00 Κρωπί Αττικής  
V.A.T. EL094094640  
Phone: (+30) 210 66 20 225  
info@husqvarna-consumer.gr

**Hungary**

Husqvarna Magyarország Kft.  
Ezred u. 1- 3  
1044 Budapest  
Phone: (+36) 80 20 40 33  
gardena@gardena.hu

**Iceland**

Ó. Johnson & Kaaber  
Tunguhalsi 1, 110 Reykjavik  
oaj@ojk.is

**Ireland**

McLoughlin's RS  
Unit 5,  
Northern Cross Business Park  
North Road, Finglas  
Dublin 11

**Italy**

GARDENA Italia S.p.A.  
Via Santa Vecchia 15  
23868 VALMADRERA (LC)  
Phone: (+39) 0341.203.111  
info@gardenaItalia.it

**Japan**

KAKUICHI Co. Ltd.  
Sumitomo Realty &  
Development Kojimachi  
BLDG., 8F, 5-1 Nibannayo,  
Chiyoda-ku, Tokyo 102-0084  
Phone: (+81) 33 264 4721  
m\_ishihara@kaku-ichi.co.jp

**Latvia**

Husqvarna Latvija  
Consumer Outdoor Products  
Bakužu iela 6  
LV-1024 Riga  
info@husqvarna.lv

**Lithuania**

UAB Husqvarna Lietuva  
Consumer Outdoor Products  
Ateities pl. 77C  
LT-52104 Kaunas  
centras@husqvarna.lt

**Luxembourg**

Magasins Jules Neuberger  
39, rue Jacques Stas  
Luxembourg-Caspech 2549  
Case Postale No. 12  
Luxembourg 2010  
Phone: (+352) 40 14 01  
api@neuberger.lu

**Netherlands**

GARDENA Nederland B.V.  
Postbus 50176  
1305 AD ALMERE  
Phone: (+31) 36 521 00 00  
info@gardena.nl

**Neth. Antilles**

Jonka Enterprises N.V.  
Sta. Rosa Weg 196  
P.O. Box 8200, Curaçao  
Phone: (+599) 9 767 66 55  
pgm@jonka.com

**New Zealand**

Husqvarna New Zealand Ltd.  
PO Box 76437  
Manukau City 2241  
Phone: (+64) (0) 9 9202410  
support.nz@husqvarna.co.nz

**Norway**

GARDENA / Husqvarna  
Consumer Outdoor Products  
Salgskontor Norge  
Kleverveien 6  
1540 Vestby  
info@gardena.no

**Poland**

Husqvarna Poland Spółka z o.o.  
ul. Wysockiego 15 b  
03-371 Warszawa  
Oddział w Szymanowie  
Szymanów 9 d  
05-532 Baniocza  
Phone: (+48) 22 727 56 90  
gardena@gardena.pl

**Portugal**

GARDENA Portugal Lda.  
Sintra Business Park  
Edifício 1, Fração 0-G  
2710-089 Sintra  
Phone: (+351) 21 922 85 30  
info@gardena.pt

**Romania**

Madex International Srl  
Soseaua Odaii 117- 123,  
RO 013603, Bucuresti, S1  
Phone: (+40) 21 352.76.03  
madex@ines.ro

**Russia**

ООО „Хускварна“  
141400, Московская обл.,  
г. Химки,  
улица Ленинградская,  
владение 39,  
Химки Бизнес Парк,  
Здание II, 4 этаж.

**Serbia**

Domel d.o.o.  
Savski nasip 7  
11070 Novi Beograd  
Phone: (+381) 11 2772 204  
miroslav.jejina@domel.co.yu

**Singapore**

Hy-Ray PRIVATE LIMITED  
40 Jalan Pemimpin  
#02-08 Tat Ann Building  
Singapore 577185  
Phone: (+65) 6253 2277  
shiyang@hyray.com.sg

**Slovenia**

GARDENA d.o.o.  
Vrodilje 15  
1236 Trzin  
Phone: (+386) 1 580 93 32  
servis@gardena.si

**South Africa**

GARDENA  
South Africa (Pty.) Ltd.  
P.O. Box 11534  
Vorna Valley 1686  
Phone: (+27) 11 315 02 23  
sales@gardena.co.za

**Spain**

GARDENA IBERICA S.L.U.  
C/ Basauri, nº 6  
La Florida  
28023 Madrid  
Phone: (+34) 91 708 05 00  
atencioncliente@gardena.es

**Sweden**

GARDENA / Husqvarna  
Consumer Outdoor Products  
Försäljningskontor Sverige  
Box 9003  
200 39 Malmö  
info@gardena.se

**Switzerland / Schweiz**

Husqvarna Schweiz AG  
Consumer Products  
Industriestrasse 10  
5506 Mägenwil  
Phone: (+41) (0) 848 800  
464  
info@gardena.ch

**Turkey**

GARDENA Dost Diş Ticaret  
Müessesilik A.Ş.  
Sanayi Çad. Adil Sokak  
No: 1/B Kartal  
34873 Istanbul  
Phone: (+90) 216 38 93 939  
info@gardena-dost.com.tr

**Ukraine / Україна**

ТОВ «Хусварна Україна»  
вул. Васильківська, 34,  
офіс 204-г  
03022, Київ  
Тел. (+38) 044 498 39 02  
info@gardena.ua

8862-20.960.06/ 0213

Husqvarna AB  
S-561 82  
Husqvarna  
Sweden